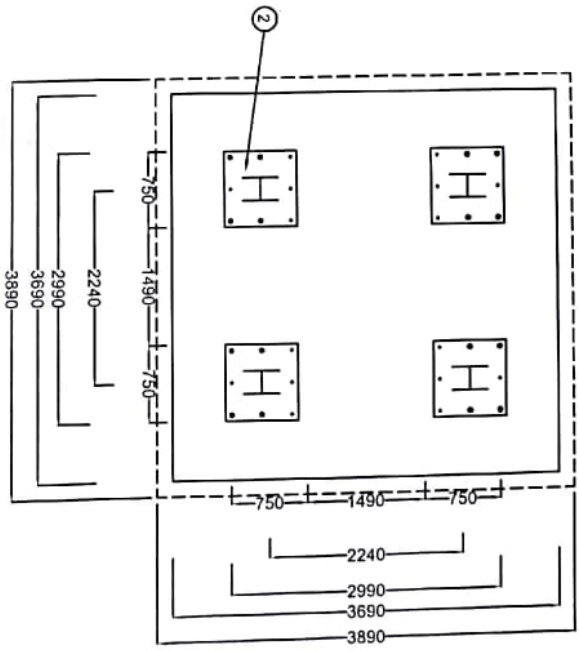
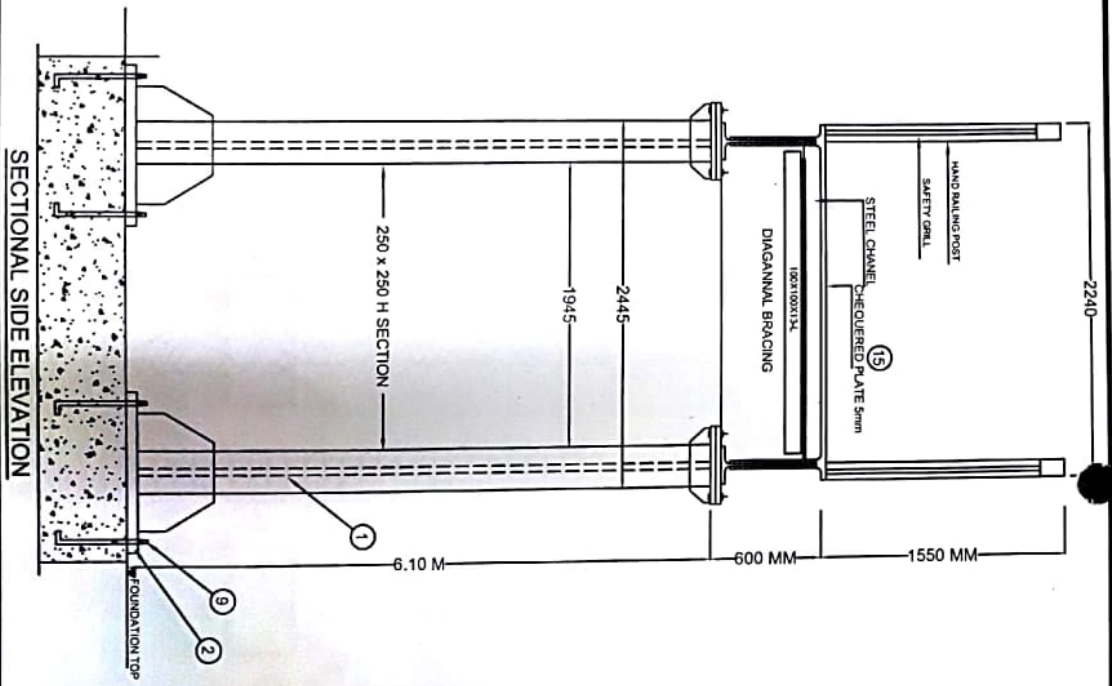


DETAIL OF GUSSET PLATE  
AT END

*Handwritten signature*

<p>GOVERNMENT OF PAKISTAN NATIONAL HIGHWAY AUTHORITY</p>		<p>Prepared by</p>		Date		<p>GENERAL DESIGN FOR PEDESTRIAN O/H FOOT BRIDGE MAIN DECK</p>
<p>TARNOL BEFORE RAILWAY CROSSING ON N-5 AT KM 1554+00 -1555+00</p>		<p>Checked by</p>				
		<p>Recommend by</p>				
		<p>Approved by</p>				<p>GENERAL NOTES</p>
						<p>DRG NO. 2</p>

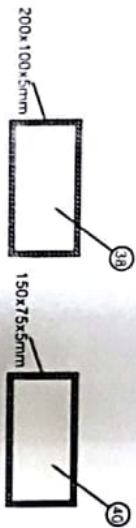
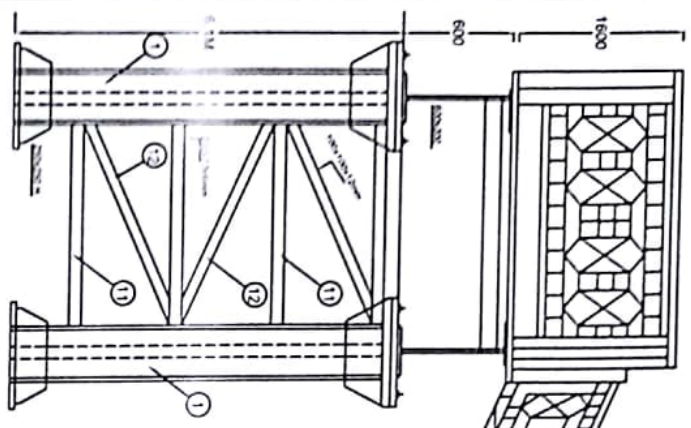


*Handwritten signature*

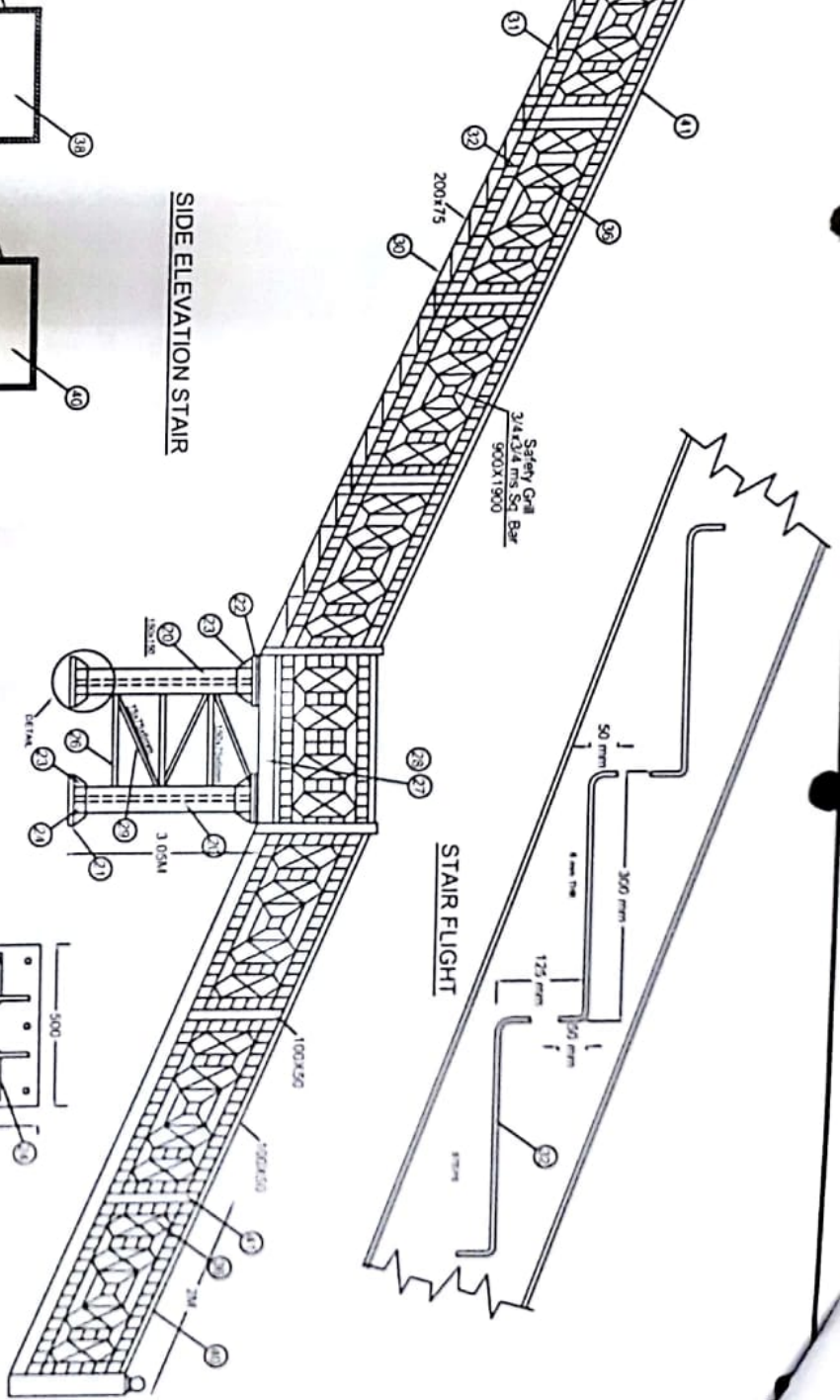
**GOVERNMENT OF PAKISTAN  
NATIONAL HIGHWAY AUTHORITY**

**TARNOL BEFORE RAILWAY CROSSING  
ON N-5 AT KM 1554+00 -1555+00**

Prepared by	Date	GENERAL DESIGN FOR PEDESTRIAN O/H FOOT BRIDGE DETAIL OF BASE PLATES	
Checked by		GENERAL NOTES DRG NO: 3	
Recommend by			
Approved by			

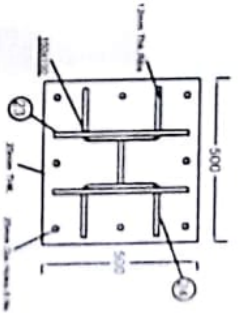


SIDE ELEVATION STAIR



STAIR FLIGHT

DETAIL OF STAIR LANDING BASEPLATE



GOVERNMENT OF PAKISTAN  
NATIONAL HIGHWAY AUTHORITY

TARNOL BEFORE RAILWAY CROSSING  
ON N-5 AT KM 1554+00 -1555+00

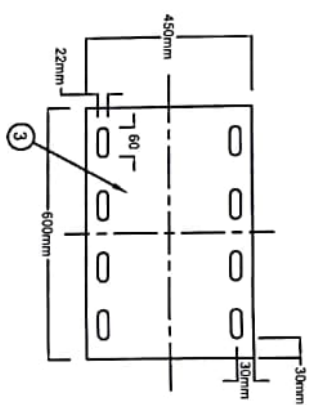
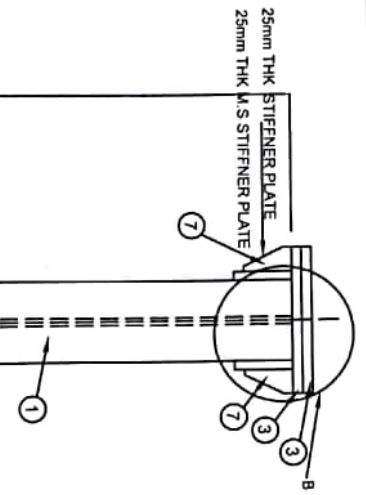
Prepared by		Date	
Checked by			
Recommended by			
Approved by			

GENERAL DESIGN FOR  
PEDESTRIAN O/H FOOT BRIDGE  
DETAIL OF BASE PLATES

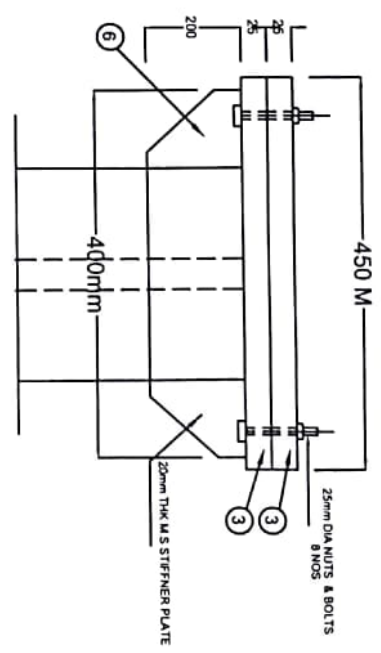
GENERAL NOTES

DRG NO.

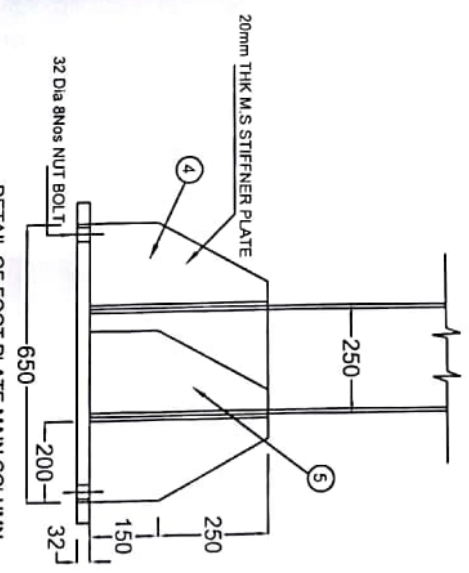
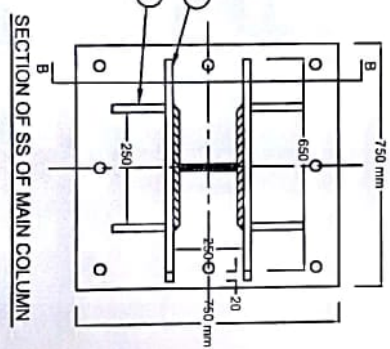
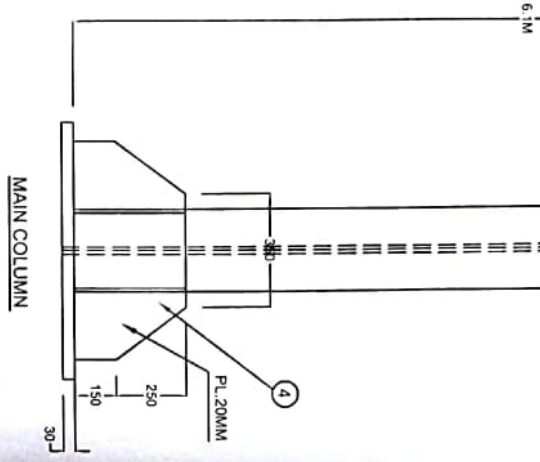
4



DETAIL OF TOP PLATES 25mm THK MAIN COLUMN



DETAIL OF 'B' TOP PLATES MAIN COLUMN



DETAIL OF FOOT PLATE MAIN COLUMN

GOVERNMENT OF PAKISTAN  
NATIONAL HIGHWAY AUTHORITY

TARNOL BEFORE RAILWAY CROSSING  
ON N-5 AT KM 1554+00 -1555+00

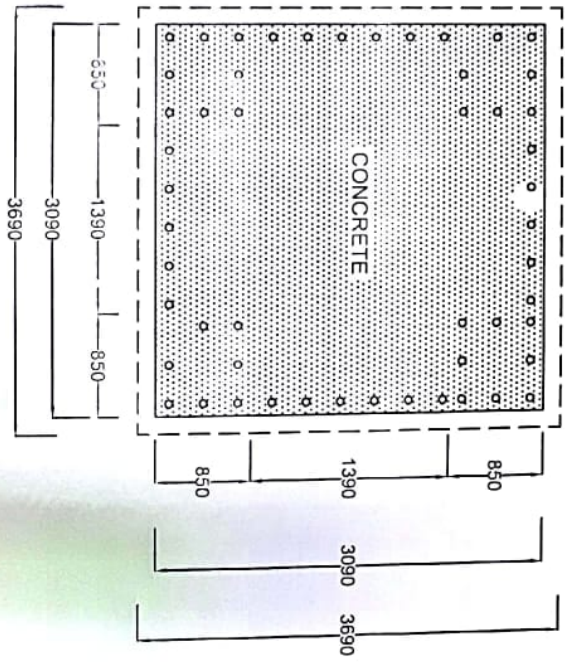
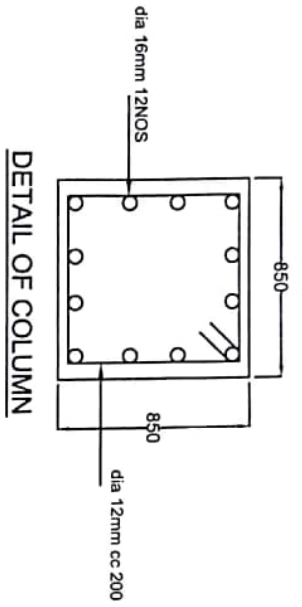
Prepared by							
Checked by							
Recommend by							
Approved by							

GENERAL DESIGN FOR  
PEDESTRIAN O/H FOOT BRIDGE  
DETAIL OF BASE PLATES

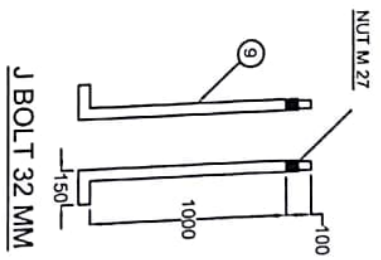
GENERAL NOTES

DRG NO: 5

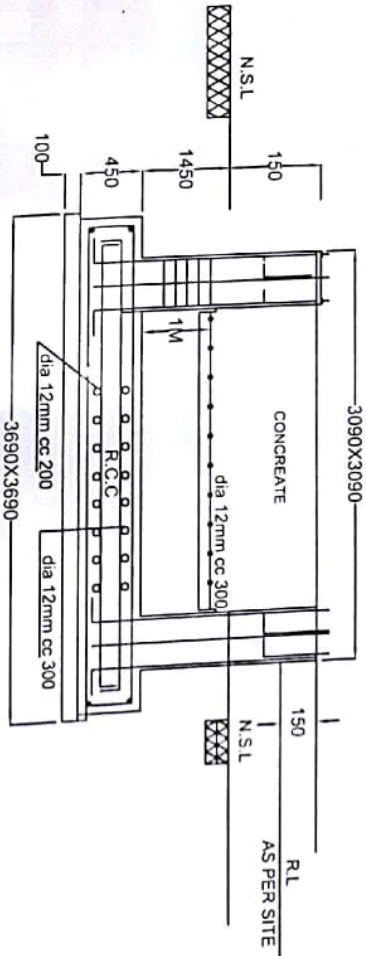
*Handwritten signature*



FOUNDATION PLAN



J BOLT 32 MM



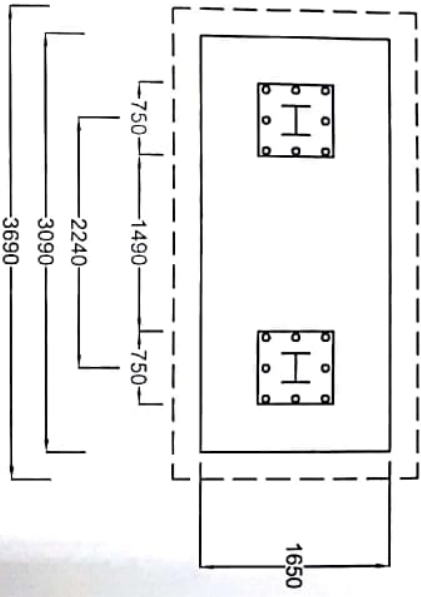
SECTION AT S-S FOUNDATION FOR MAIN COLUMN

GOVERNMENT OF PAKISTAN  
NATIONAL HIGHWAY AUTHORITY

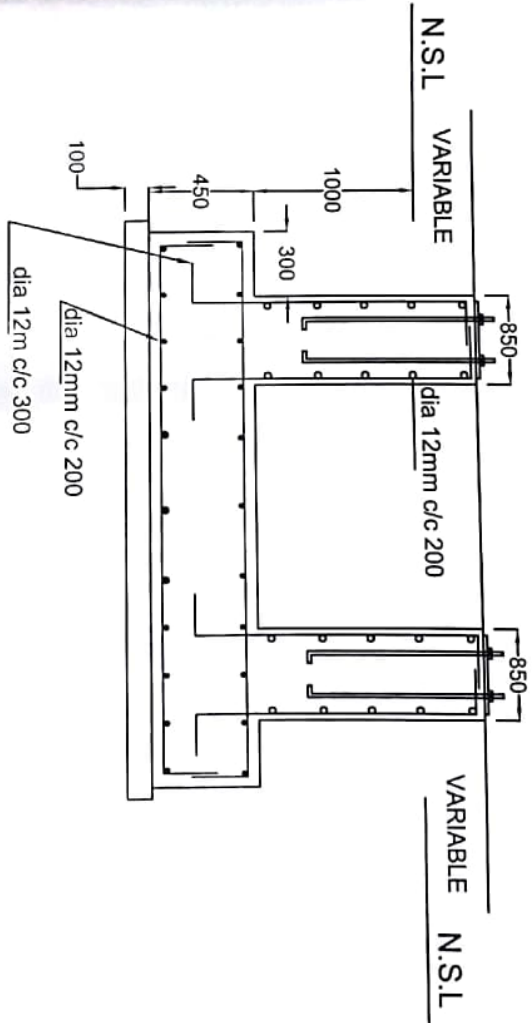
TARNOL BEFORE RAILWAY CROSSING  
ON N-5 AT KM 1554+00 -1555+00

Prepared by		Date		GENERAL DESIGN FOR PEDESTRIAN O/H FOOT BRIDGE DETAIL OF FOUNDATION
Checked by				
Recommend by				
Approved by				GENERAL NOTES
				DRG NO: 6

*Handwritten signature*



PLAN OF FOUNDATION  
CENTER MEDIAN



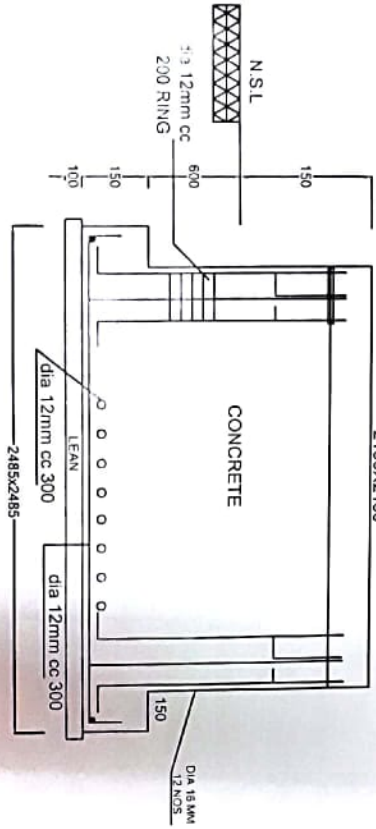
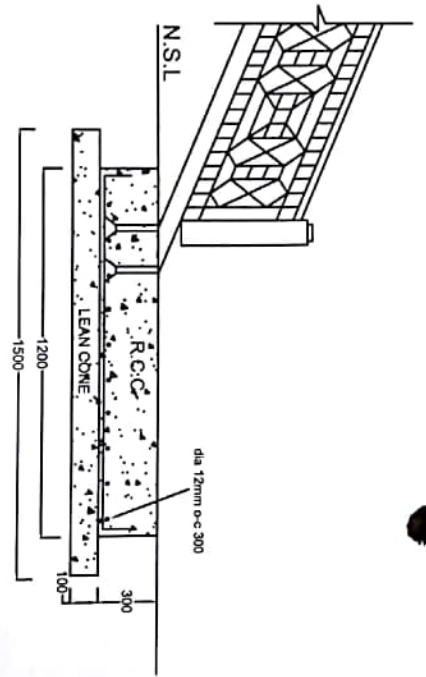
SECTION

*fc.*

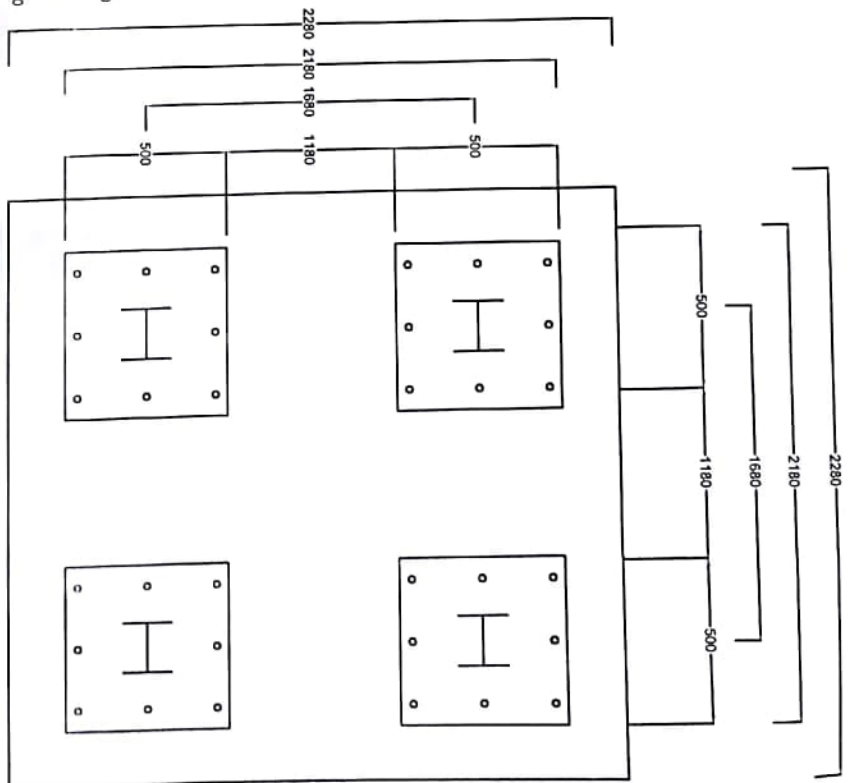
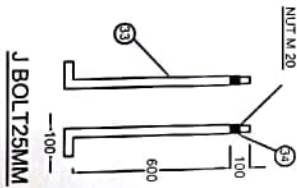
GOVERNMENT OF PAKISTAN  
NATIONAL HIGHWAY AUTHORITY

TARNOL BEFORE RAILWAY CROSSING  
ON N-5 AT KM 1554+00 - 1555+00

Prepared by	Date	GENERAL DESIGN FOR PEDESTRIAN O/H FOOT BRIDGE DETAIL OF FOUNDATION
Checked by		
Recommend by		GENERAL NOTES
Approved by		DRG NO: 7



SECTION AT A-A FOUNDATION  
FOR STAIR LANDING



PLAN OF FOUNDATION  
STAIR LANDING

*Handwritten signature*

GOVERNMENT OF PAKISTAN  
NATIONAL HIGHWAY AUTHORITY

TARNOL BEFORE RAILWAY CROSSING  
ON N-5 AT KM 1554+00 -1555+00

Prepared by		Date		GENERAL DESIGN FOR PEDESTRIAN O/H FOOT BRIDGE STAIR LANDING
Checked by				
Recommend by				
Approved by				GENERAL NOTES
				DRG NO.
				8