



SBP Banking Services Corporation

INVITATION TO BIDS

Invitation No. *GSD (PROC-III)/ 11097 / Cash Trays / 2023-24*

Date: 25 April 2024

1. This Invitation to Bids follows the Procurement Advertisement (PA) No. *GSD (PROC-III)/ 11097 / Cash Trays / 2023-24* for the procurement of “**Supply of Plastic Cash Trays at SBP Banking Services Corporation**”.
2. The SBP Banking Services Corporation has reserved the funds for the procurement planned during the financial year 2023-24. It is intended that part of the proceeds of the fund will be used to cover eligible payment under the contract for the procurement.
3. SBP Banking Services Corporation now invites sealed bids from eligible Suppliers to acquire *Plastic Cash Trays* that meet the following eligibility criteria:
 - a. Bidder must be original manufacturer / supplier of plastic products in Pakistan;
 - b. Bidder must show proof of supply of custom-made plastic products to minimum three (03) customers in Pakistan during any of the last 05 years;
 - c. Bidder must have Annual Sales Volume/Gross Turnover of at least ten (10) million rupees, in any of last three (03) financial years;
 - d. Bidder must be registered with Income and Sales Tax Department and also appear on Active Taxpayers List (ATL) of FBR;
 - e. Bidder must not have been blacklisted or be in breach of performance with SBP or any Organization(s).
4. The bidding shall be conducted in line with the Single Stage One Envelope Procedure of the Public Procurement Rules 2004 and any Regulations, Regulatory Guides, Procurement Guidelines or Instructions issued by the Authority (from time to time) and is open to all potential bidders.
5. All bids must be accompanied by a Bid Securing Declaration in the format provided in the Bidding Documents.
6. This Invitation to Bids / Bidding Documents is also available on the websites: <http://www.ppra.org.pk> and <http://www.sbp.org.pk>.
7. The original bid along with one (01) copy, properly filled in, and enclosed in sealed envelope(s), must be delivered at the office of the undersigned on or before **Friday, May 17, 2024, 11:00 AM**. The bids will be opened same day at **11:30 AM** in public and in the presence of bidders’ representatives who choose to attend the opening at the **Meeting Room, General Services Department 4th Floor BSC House, State Bank of Pakistan Banking Services Corporation, I.I Chundrigar Road, Karachi –Pakistan**.

Joint Director

Procurement Division III, General Services Department, SBP Banking Services Corporation (SBP BSC)

4th Floor BSC House, I.I Chundrigar Road, Karachi

Phone: (92-21)–32455415 & 32455472, Facsimile :(92-21)-99221176

Email: gsd.proc-iii@sbp.org.pk, Website: www.sbp.org.pk



BIDDING DOCUMENTS

For

***“Supply of Plastic Cash Trays at SBP
Banking Services Corporation”***

April 2024

Procurement Division III, General Services Department, SBP Banking Services Corporation (SBP BSC)
4th Floor BSC House, I.I Chundrigar Road, Karachi,
Phone: (92-21)–32455415 & 32455472, Facsimile :(92-21)-99221176
Email: gsd.proc-iii@sbp.org.pk, Website: www.sbp.org.pk

Preface

Rule 23 of Public Procurement Rules requires procuring agencies to formulate bidding documents that shall be made available to the bidders immediately after the publication of the invitation to bid.

Document comprises of the Sections listed below:

PART-A – BIDDING PROCEDURE & REQUIREMENTS

| | |
|--------------------|---|
| Section I | Invitation to Bids |
| Section II | Instructions to Bidders (ITB) |
| Section III | Bid Data Sheet (BDS) |
| Section IV | Eligible Countries |
| Section V | Technical Specifications, Schedule of Requirements |
| Section VI | Standard Forms |

PART-B – CONDITIONS OF CONTRACT AND CONTRACT FORMS

| | |
|---------------------|---|
| Section VII | General Conditions of Contract (GCC) |
| Section VIII | Special Conditions of Contract (SCC) |
| Section IX | Contract Forms |
| | Integrity Pact |



Bidding Documents for “Supply of Plastic Cash Trays at SBP Banking Services Corporation”

PART-A – BIDDING PROCEDURE & REQUIREMENTS

Section I - Invitation to Bids

Section II- Instructions to Bidders (ITB)

This Section provides information to help Bidders prepare their Bids. Information is provided for the submission, opening, and evaluation of Bids and for the award of Contract.

Section III- Bid Data Sheet (BDS)

This Section includes provisions specific to procurement and to supplement Section-II, Instructions to Bidders.

Section IV - Eligible Countries

This Section contains information regarding eligible countries.

Section V - Technical Specifications, Schedule of Requirements

This Section includes the details of specifications for the goods and ancillary services to be procured and schedule of requirements.

Section VI - Standard Forms

This Section includes the standard forms for the Bid Submission, Price Schedules, and Bid Security etc. These forms are to be completed and submitted by the Bidder as part of Bid.

PART-B – CONDITIONS OF CONTRACT AND CONTRACT FORMS

Section VII - General Conditions of Contract (GCC)

This Section includes the general clauses to be applied in all the contracts.

Section VIII - Special Conditions of Contract (SCC)

This Section consists of Contract Specific general and special conditions.

Section IX - Contract Forms

This Section contains forms which, once completed, will become part of the Contract. The forms for

Performance Security will be submitted by the successful bidder to whom Letter of Acceptance is issued, before the award of contract.

Integrity Pact

The successful bidder shall be required to furnish Integrity Pact as per the attached format.



PART-A
BIDDING PROCEDURE & REQUIREMENTS

SECTION I: INVITATION TO BIDS





SBP Banking Services Corporation INVITATION TO BIDS

Invitation No. *GSD (PROC-III)/ 11097 / Cash Trays / 2023-24*

Date: 25 April 2024

1. This Invitation to Bids follows the Procurement Advertisement (PA) No. *GSD (PROC-III)/ 11097 / Cash Trays / 2023-24* for the procurement of “**Supply of Plastic Cash Trays at SBP Banking Services Corporation**”.
2. The SBP Banking Services Corporation has reserved the funds for the procurement planned during the financial year 2023-24. It is intended that part of the proceeds of the fund will be used to cover eligible payment under the contract for the procurement.
3. SBP Banking Services Corporation now invites sealed bids from eligible Suppliers to acquire Plastic Cash Trays that meet the following eligibility criteria:
 - a. Bidder must be original manufacturer / supplier of plastic products in Pakistan;
 - b. Bidder must show proof of supply of custom-made plastic products to minimum three (03) customers in Pakistan during any of the last 05 years;
 - c. Bidder must have Annual Sales Volume/Gross Turnover of at least ten (10) million rupees, in any of last three (03) financial years;
 - d. Bidder must be registered with Income and Sales Tax Department and also appear on Active Taxpayers List (ATL) of FBR;
 - e. Bidder must not have been blacklisted or be in breach of performance with SBP or any Organization(s).
4. The bidding shall be conducted in line with the Single Stage One Envelope Procedure of the Public Procurement Rules 2004 and any Regulations, Regulatory Guides, Procurement Guidelines or Instructions issued by the Authority (from time to time) and is open to all potential bidders.
5. All bids must be accompanied by a Bid Securing Declaration in the format provided in the Bidding Documents.
6. This Invitation to Bids / Bidding Documents is also available on the websites: <http://www.ppra.org.pk> and <http://www.sbp.org.pk>.
7. The original bid along with one (01) copy, properly filled in, and enclosed in sealed envelope(s), must be delivered at the office of the undersigned on or before **Friday, May 17, 2024, 11:00 AM**. The bids will be opened same day at **11:30 AM** in public and in the presence of bidders’ representatives who choose to attend the opening at the **Meeting Room, General Services Department 4th Floor BSC House, State Bank of Pakistan Banking Services Corporation, I.I Chundrigar Road, Karachi – Pakistan**.

Joint Director

Procurement Division III, General Services Department, SBP Banking Services Corporation (SBP BSC)

4th Floor BSC House, I.I Chundrigar Road, Karachi

Phone: (92-21)–32455415 & 32455472, Facsimile :(92-21)-99221176

Email: gsd.proc-iii@sbp.org.pk, Website: www.sbp.org.pk



Table of Contents

| | |
|---|-----------|
| SECTION I: INVITATION TO BIDS | 4 |
| SECTION II: INSTRUCTION TO BIDDERS (ITBs) | 7 |
| SECTION III: BID DATA SHEET | 42 |
| SECTION IV: ELIGIBLE COUNTRIES | 48 |
| SECTION V: SCHEDULE OF REQUIREMENTS, TECHNICAL SPECIFICATIONS..... | 49 |
| SECTION VI – STANDARD FORMS FOR (Single Stage One Envelope Procedure)..... | 57 |
| SECTION VII – GENERAL CONDITIONS OF THE CONTRACT | 72 |
| SECTION VIII: SPECIAL CONDITIONS OF THE CONTRACT (SCC)..... | 87 |
| SECTION IX: CONTRACT FORMS..... | 93 |

SECTION II: INSTRUCTION TO BIDDERS (ITBs)



Section II. Instructions to Bidders (ITBs)

| <u>A. Introduction</u> | |
|--------------------------------|--|
| 1. Scope of Application | 1.1 The Procuring Agency (PA), as indicated in the Bid Data Sheet (BDS) invites Bids for the goods and related services as specified in the BDS and Section V - Technical Specifications & Schedule of Requirements. The successful Bidders will be expected to deliver the goods within the specified period and timeline(s) as stated in the BDS. |
| 2. Sources of Funds | 2.1 Source of funds is referred in Clause-2 of Invitation to Bids. |
| 3. Eligible Bidders | <p>3.1 A Bidder may be natural person, company or firm or public or semi-public agency of Pakistan or of any foreign country, or any combination of them with a formal existing agreement (on Judicial Papers) in the form of a joint venture, consortium, or association. In the case of a joint venture, consortium, or association, all members shall be jointly and severally liable for the execution of the Contract in accordance with the terms and conditions of the Contract. The joint venture, consortium, or association shall nominate a Lead Member as nominated in the BDS, who shall have the authority to conduct all business for and on behalf of any and all the members of the joint venture, consortium, or association during the Bidding process, and in case of award of contract, during the execution of contract.</p> <p>3.2 The appointment of Lead Member in the joint venture, consortium, or association shall be confirmed by submission of a valid Power of Attorney to the Procuring Agency.</p> <p>3.3 Verifiable copy of the agreement that forms a joint venture, consortium or association shall be required to be submitted as part of the Bid.</p> <p>3.4 Any bid submitted by the joint venture, consortium or association shall indicate the part of proposed contract to be performed by each party and each party shall be evaluated (or post qualified if required) with respect to its contribution only, and the responsibilities of each party shall not be substantially altered without prior written approval of the Procuring Agency and in line with any instructions issued by the Authority.</p> <p>3.5 The invitation for Bids is open to all prospective supplier, manufacturers or authorized agents/dealers subject to any provisions of incorporation or licensing by the respective national incorporating agency or statutory body established for that particular trade or business.</p> <p>3.6 Foreign Bidders must be locally registered with the appropriate national incorporating body or the statutory body, before participating in the national/international competitive tendering</p> |



with the exception of such procurements made by the foreign missions of Pakistan. For such purpose the bidder must have to initiate the registration process before the bid submission and the necessary evidence shall be submitted to the procuring agency along with their bid, however, the final award will be subject to the complete registration process.

3.7 A Bidder shall not have a conflict of interest. All Bidders found to have a conflict of interest shall be disqualified. A Bidders may be considered to have a conflict of interest with one or more parties in this Bidding process, if they:

- a. are associated or have been associated in the past, directly or indirectly with a firm or any of its affiliates which have been engaged by the Procuring Agency to provide consulting services for the preparation of the design, specifications and other documents to be used for the procurement of goods and related services to be procured under this Invitation for Bids.
- b. have controlling shareholders in common; or
- c. receive or have received any direct or indirect subsidy from any of them; or
- d. have the same legal representative for purposes of this Bid; or
- e. have a relationship with each other, directly or through common third parties, that puts them in a position to have access to information about or influence on the Bid of another Bidder, or influence the decisions of the Procuring Agency regarding this Bidding process; or
- f. Submit more than one Bid in this Bidding process.

3.8 A Bidder may be ineligible if –

- a. he is declared bankrupt or, in the case of company or firm, insolvent;
- b. payments in favor of the Bidder is suspended in accordance with the judgment of a court of law other than a judgment declaring bankruptcy and resulting (in accordance with the national laws) in the total or partial loss of the right to administer and dispose of its property;
- c. legal proceedings are instituted against such Bidder involving an order suspending payments and which may result, in accordance with the national laws, in a declaration of bankruptcy or in any other situation entailing the total or partial loss of the right to administer and dispose of the property;
- d. the Bidder is convicted, by a final judgment, of any offence involving professional conduct;
- e. the Bidder is blacklisted and hence debarred due to involvement in corrupt and fraudulent practices, or

| | |
|---|---|
| | <p>performance failure or due to breach of bid securing declaration.</p> <p>f. The firm, supplier and contractor is blacklisted or debarred by a foreign country, international organization, or other foreign institutions for the period defined by them.</p> <p>3.9 Bidders shall provide to the Procuring Agency evidence of their eligibility, proof of compliance with the necessary legal requirements to carry out the contract effectively.</p> <p>3.10 Bidders shall provide such evidence of their continued eligibility to the satisfaction of the Procuring Agency, as the Procuring Agency shall reasonably request.</p> <p>3.11 Bidders shall submit proposals relating to the nature, conditions and modalities of sub-contracting wherever the sub-contracting of any elements of the contract amounting to the more than ten (10) percent of the Bid price is envisaged.</p> |
| 4. Eligible Goods and Related Services | <p>4.1 All the goods and related services to be supplied under the contract shall have their origin in eligible source countries, and all expenditures made under the contract will be limited to such goods and services. For purpose of this Bid, ineligible countries are stated in the section-4 titled as “Eligible Countries”.</p> <p>4.2 For purposes of this Clause, “origin” means the place where the goods are mined, grown, cultivated, produced, manufactured, or processed, or through manufacture, procession, or assembly, another commercially recognized article results that differs substantially in its basic characteristics from its imported components or the place from where the related services are/to be supplied.</p> <p>4.3 The nationality of the supplier that supplies and install the goods shall not determine the origin of the goods.</p> <p>4.4 To establish the eligibility of the Goods and the related services, Bidders shall fill the country of origin declarations included in the Form of Bid.</p> <p>4.5 If so required in the BDS, the Bidder shall demonstrate that it has been duly authorized by the manufacturer of the goods to deliver in Pakistan (or in respective country in case of procurement by the Pakistani Missions abroad), the goods indicated in its Bid.</p> |
| 5. One Bid per Bidder | <p>5.1 A bidder shall submit only one Bid, in the same bidding process, either individually as a Bidder or as a member in a joint venture or any similar arrangement.</p> |

| | |
|--|--|
| | <p>5.2 No bidder can be a sub-contractor while submitting a Bid individually or as a member of a joint venture in the same Bidding process.</p> <p>5.3 A person or a firm cannot be a sub-contractor with more than one bidder in the same bidding process.</p> |
| 6. Cost of Bidding | 6.1 The Bidder shall bear all costs associated with the preparation and submission of its Bid, and the Procuring Agency shall in no case be responsible or liable for those costs, regardless of the conduct or outcome of the bidding process. |
| <u>B. Bidding Documents</u> | |
| 7. Contents of Bidding Documents | <p>7.1 The goods required, bidding procedures, and terms and conditions of the contract are prescribed in the Bidding Documents. In addition to the Invitation to Bids, the Bidding Documents which should be read in conjunction with any addenda issued in accordance with ITB 9.2 include:</p> <p style="padding-left: 40px;">Section I -Invitation to Bids Section II Instructions to Bidders (ITBs) Section III Bid Data Sheet (BDS) Section IV Eligible Countries Section V Schedule of Requirements and Technical Specifications Section VI Standard Forms Section VII General Conditions of Contract (GCC) Section VIII Special Conditions of Contract (SCC) Section IX Contract Forms</p> <p>7.2 The number of copies to be completed and returned with the Bid is specified in the BDS.</p> <p>7.3 The Procuring Agency is not responsible for the completeness of the Bidding Documents and their addenda, if they were not obtained directly from the Procuring Agency or the signed pdf version from downloaded from the website of the Procuring Agency. However, Procuring Agency shall place both the pdf and same editable version to facilitate the bidder for filling the forms.</p> <p>7.4 The Bidder is expected to examine all instructions, forms, terms and specifications in the Bidding Documents. Failure to furnish all the information required in the Bidding Documents will be at the Bidder's risk and may result in the rejection of his Bid.</p> |
| 8. Clarification of Bidding Documents | 8.1 A prospective Bidder requiring any clarification of the Bidding Documents may notify the Procuring Agency in writing or in electronic form that provides record of the content of communication at the Procuring Agency's address indicated in the BDS . |

| | |
|---|---|
| | <p>8.2 The Procuring Agency will within three (3) working days after receiving the request for clarification, respond in writing or in electronic form to any request for clarification provided that such request is received not later than three (03) days prior to the deadline for the submission of Bids as prescribed in ITB 23.1. However, this clause shall not apply in case of alternate methods of Procurement.</p> <p>8.3 Copies of the Procuring Agency's response will be forwarded to all identified Prospective Bidders through an identified source of communication, including a description of the inquiry, but without identifying its source.</p> <p>In case of downloading of the Bidding Documents from the website of PA, the response of all such queries will also be available on the same link available at the website.</p> <p>8.4 Should the Procuring Agency deem it necessary to amend the Bidding Documents as a result of a clarification, it shall do so following the procedure under ITB 9.</p> <p>8.5 If indicated in the BDS, the Bidder's designated representative is invited at the Bidder's cost to attend a pre-Bid meeting at the place, date and time mentioned in the BDS. During this pre-Bid meeting, prospective Bidders may request clarification of the schedule of requirement, the Evaluation Criteria or any other aspects of the Bidding Documents.</p> <p>8.6 Minutes of the pre-Bid meeting, if applicable, including the text of the questions asked by Bidders, including those during the meeting (without identifying the source) and the responses given, together with any responses prepared after the meeting will be transmitted promptly to all prospective Bidders who have obtained the Bidding Documents. Any modification to the Bidding Documents that may become necessary as a result of the pre-Bid meeting shall be made by the Procuring Agency exclusively through the use of an Addendum pursuant to ITB 9. Non-attendance at the pre-Bid meeting will not be a cause for disqualification of a Bidder.</p> |
| <p>9. Amendment of Bidding Documents</p> | <p>9.1 Before the deadline for submission of Bids, the Procuring Agency for any reason, whether at its own initiative or in response to a clarification requested by a prospective Bidder or pre-bid meeting may modify the Bidding Documents by issuing addenda.</p> <p>9.2 Any addendum issued including the notice of any extension of the deadline shall be part of the Bidding Documents pursuant to ITB 7.1 and shall be communicated in writing or in any identified electronic form that provide record of the content of communication to all the bidders who have obtained the Bidding Documents from the Procuring Agency. The Procuring Agency shall promptly publish the Addendum at the Procuring Agency's web page identified in the BDS:</p> |

| | |
|--|---|
| | <p>Provided that the bidder who had either already submitted their bid or handed over the bid to the courier prior to the issuance of any such addendum shall have the right to withdraw his already filed bid and submit the revised bid prior to the original or extended bid submission deadline.</p> <p>9.3 To give prospective Bidders reasonable time in which to take an addendum/corrigendum into account in preparing their Bids, the Procuring Agency may, at its discretion, extend the deadline for the submission of Bids: Provided that the Procuring Agency shall extend the deadline for submission of Bid, if such an addendum is issued within last three (03) days of the Bid submission deadline.</p> |
| <p><u>C. Preparation of Bids</u></p> | |
| <p>10. Language of Bid</p> | <p>10.1 The Bid prepared by the Bidder, as well as all correspondence and documents relating to the Bid exchanged by the Bidder and the Procuring Agency shall be written in the English language unless otherwise specified in the BDS. Supporting documents and printed literature furnished by the Bidder may be in another language provided they are accompanied by an accurate translation of the relevant pages in the English language unless specified in the BDS, in which case, for purposes of interpretation of the Bidder, the translation shall govern.</p> |
| <p>11. Documents and Sample(s) Constituting the Bid</p> | <p>11.1 The Bid prepared by the Bidder shall constitute the following components: -</p> <ol style="list-style-type: none"> a) Form of Bid and Bid Prices completed in accordance with ITB 14 and 15; b) Details of the Sample(s) where applicable and requested in the BDS. c) Documentary evidence established in accordance with ITB 13 that the Bidder is eligible and/or qualified for the subject bidding process; d) Documentary evidence established in accordance with ITB 13.3(a) that the Bidder has been authorized by the manufacturer to deliver the goods into Pakistan, where required and where the supplier is not the manufacturer of those goods; e) Documentary evidence established in accordance with ITB 12 that the goods and related services to be supplied by the Bidder are eligible goods and services, and conform to the Bidding Documents; f) Bid security or Bid Securing Declaration furnished in accordance with ITB 18; g) Duly Notarized Power of Attorney authorizing the signatory of the Bidder to submit the bid; and h) Any other document required in the BDS |

| | |
|--|---|
| | <p>11.2 Where a sample(s) is required by a procuring agency, the sample shall be:</p> <ul style="list-style-type: none"> (a) submitted as part of the bid, in the quantities, dimensions and other details requested in the BDS; (b) carriage paid; (c) received on, or before, the closing time and date for the submission of bids; and (d) evaluated to determine compliance with all characteristics listed in the BDS. <p>11.3 The Procuring Agency shall retain the sample(s) of the successful Bidder. A Procuring Agency shall reject the Bid if the sample(s)-</p> <ul style="list-style-type: none"> (a) do(es) not conform to all characteristics prescribed in the bidding documents; and (b) is / are not submitted within the specified time clearly mentioned in the Bid Data Sheet. <p>11.4 Where it is not possible to avoid using a propriety article as a sample, a Bidder shall make it clear that the propriety article is displayed only as an example of the type or quality of the goods being Bided for, and that competition shall not thereby be limited to the extent of that article only.</p> <p>11.5 Samples made up from materials supplied by a Procuring Agency shall not be returned to a Bidder nor shall a Procuring Agency be liable for the cost of making them.</p> <p>11.6 All samples produced from materials belonging to an unsuccessful Bidder shall be kept by the Procuring Agency till thirty (30) days from the date of award of contract or exhaust of all the grievance forums (including those pending at Authority's Level or in some Court of Law).</p> |
| <p>12. Documents Establishing Eligibility of the Goods and Related Services and Conformity to Bidding Documents</p> | <p>12.1 Pursuant to ITB 11, the Bidder shall furnish, as part of its Bid, all those documents establishing the eligibility in conformity to the terms and conditions specified in the Bidding Documents for all goods and related services which the Bidder proposes to deliver.</p> <p>12.2 The documentary evidence of the eligibility of all goods and related services shall consist of a statement in the Price Schedule of the country of origin of the goods and related services offered which shall be confirmed by a certificate of origin issued at the time of shipment.</p> <p>12.3 The documentary evidence of conformity of the goods and related services to the Bidding Documents may be in the form of literature, drawings, and data, and shall consist of:</p> |



| | |
|--|--|
| | <p>a. a detailed description of the essential technical specifications and performance characteristics of the Goods;</p> <p>b. an item-by-item commentary on the Procuring Agency's Technical Specifications demonstrating substantial responsiveness of the Goods and Services to those specifications, or a statement of deviations and exceptions to the provisions of the Technical Specifications;</p> <p>c. any other procurement specific documentation requirement as stated in the BDS.</p> <p>12.4 The Bidder shall also furnish a list giving full particulars, including available sources and current prices of goods, spare parts, special tools, etc., necessary for the proper and continuing functioning of the Goods during the period specified in the BDS following commencement of the use of the goods by the Procuring Agency.</p> <p>12.5 For purposes of the commentary to be furnished pursuant to ITB 12.3(c) above, the Bidder shall note that standards for workmanship, material, and equipment, as well as references to brand names or catalogue numbers designated by the Procuring Agency in its Technical Specifications, are intended to be descriptive only and not restrictive. The Bidder may substitute alternative standards, brand names, and/or catalogue numbers in its Bid, provided that it demonstrates to the Procuring Agency's satisfaction that the substitutions ensure substantial equivalence to those designated in the Technical Specifications.</p> <p>12.6 The required documents and other accompanying documents must be in English. In case any other language than English is used the pertinent translation into English shall be attached to the original version.</p> |
| <p>13. Documents Establishing the Eligibility and Qualification of the Bidder</p> | <p>13.1 Pursuant to ITB 11, the Bidder shall furnish, as part of its Bid, all those documents establishing the Bidder's eligibility to participate in the bidding process and/or its qualification to perform the contract if its Bid is accepted.</p> <p>13.2 The documentary evidence of the Bidder's eligibility to Bid shall establish to the satisfaction of the Procuring Agency that the Bidder, at the time of submission of its bid, is from an eligible country as defined in Section-4 titled as "Eligible Countries".</p> <p>13.3 The documentary evidence of the Bidder's qualifications to perform the contract if its Bid is accepted shall establish to the satisfaction of Procuring Agency that:</p> <p>a) in the case of a Bidder offering deliver the goods under the contract which the Bidder did not manufacture or otherwise produce, the Bidder has been duly authorized by the Manufacturer or producer to deliver the goods in Pakistan;</p> |

| | |
|------------------------|---|
| | <p>b) The Bidder has the financial, technical, and supply/production capability necessary to perform the Contract, meets the qualification criteria specified in BDS.</p> <p>c) in the case of a Bidder not doing business within Pakistan, the Bidder is or will be (if awarded the contract) represented by an Agent in Pakistan equipped, and able to carry out the Supplier's maintenance, repair, and spare parts-stocking obligations prescribed in the Conditions of Contract and/or Technical Specifications.</p> <p>d) That the Bidder meets the qualification criteria listed in the Bid Data Sheet.</p> |
| 14. Form of Bid | <p>14.1 The Bidder shall fill the Form of Bid furnished in the Bidding Documents. The Bid Form must be completed without any alterations to its format and no substitute shall be accepted.</p> |
| 15. Bid Prices | <p>15.1 The Bid Prices and discounts quoted by the Bidder in the Form of Bid and in the Price Schedules shall conform to the requirements specified below in ITB Clause 15 or exclusively mentioned hereafter in the bidding documents.</p> <p>15.2 All items in the Schedule of requirement must be listed and priced separately in the Price Schedule(s). If a Price Schedule shows items listed but not priced, their prices shall be construed to be included in the prices of other items.</p> <p>15.3 Items not listed in the Price Schedule shall be assumed not to be included in the Bid, and provided that the Bid is still substantially responsive in their absence or due to their nominal nature, the corresponding average price of the respective item(s) of the remaining substantially responsive bidder(s) shall be construed to be the price of those missing item(s):</p> <p>Provided that:</p> <p>a) where there is only one (substantially) responsive bidder, or</p> <p>b) where there is provision for alternate proposals and the respective items are not listed in the other bids,</p> <p>The procuring agency may fix the price of missing items in accordance with market survey, and the same shall be considered as final price.</p> <p>15.4 The Bid price to be quoted in the Form of Bid in accordance with ITB 15.1 shall be the total price of the Bid, excluding any discounts offered.</p> <p>15.5 The Bidder shall indicate on the appropriate Price Schedule, the unit prices (where applicable) and total Bid price of the goods it proposes to deliver under the contract.</p> <p>15.6 Prices indicated on the Price Schedule shall be entered separately in the following manner:</p> |

| | |
|--|---|
| | <p>a) For goods manufactured from within Pakistan (or within the country where procurement is being done in case of foreign missions abroad):</p> <ol style="list-style-type: none"> i. The price of the goods quoted EXW (ex-works, ex-factory, ex-warehouse, ex-showroom, or off-the-shelf, as applicable), including all customs duties and sales and other taxes already paid or payable: <ol style="list-style-type: none"> A. on the components and raw material used in the manufacturing or assembly of goods quoted ex-works or ex-factory; OR B. on the previously imported goods of foreign origin quoted ex-warehouse, ex-showroom, or off-the-shelf. ii. All applicable taxes which will be payable on the goods if the contract is awarded. iii. The price for inland transportation, insurance, and other local costs incidental to delivery of the goods to their final destination, if specified in the BDS. iv. The price of other (incidental or allied) services, if any, listed in the BDS. <p>b) For goods offered from abroad:</p> <ol style="list-style-type: none"> i. The price of the goods shall be quoted CIF named port of destination, or CIP border point, or CIP named place of destination, in the Procuring Agency's country, as specified in the BDS. In quoting the price, the Bidder shall be free to use transportation through carriers registered in any eligible countries. Similarly, the Bidder may obtain insurance services from any eligible source country. Or ii. The price of the goods quoted FOB port of shipment (or FCA, as the case may be), if specified in the BDS. or iii. The price of goods quoted CFR port of destination (or CPT as the case may be), if specified in the BDS. iv. the price for inland transportation, insurance, and other local costs incidental to delivery of the goods from the port of entry to their final destination, if specified in the BDS. v. The price of (incidental) services, if any, listed in the BDS. <p>15.7 Prices proposed on the Price Schedule for goods and related services shall be disaggregated, where appropriate as indicated in this Clause. This desegregation shall be solely for the purpose of facilitating the comparison of Bids by the Procuring Agency. This,</p> |
|--|---|

| | |
|----------------------------------|--|
| | <p>shall not in any way limit the Procuring Agency's right to contract on any of the terms and conditions offered: -</p> <p>a) For Goods: -</p> <p>i) the price of the Goods, quoted as per applicable INCOTERMS as specified in the BDS</p> <p>ii) all customs duties, sales tax, and other taxes applicable on goods or on the components and raw materials used in their manufacture or assembly, if the contract is awarded to the Bidder, and</p> <p>b) For Related Services</p> <p>i) The price of the related services, and</p> <p>ii) All customs duties, sales tax and other taxes applicable in Pakistan, paid or payable, on the related services, if the contract is awarded to the Bidder.</p> <p>15.8 Prices quoted by the Bidder shall be fixed during the Bidder's performance of the contract and not subject to variation on any account. A Bid submitted with an adjustable price will be treated as non-responsive and shall be rejected, pursuant to ITB 29.</p> <p>15.9 If so indicated in the Invitation to Bids and Instructions to Bidders, that Bids are being invited for individual contracts (Lots) or for any combination of contracts (packages), Bidders wishing to offer any price reduction for the award of more than one contract shall specify in their Bid the price reductions applicable to each package, or alternatively, to individual contracts (Lots) within a package.</p> |
| <p>16. Bid Currencies</p> | <p>16.1 Prices shall be quoted in the following currencies:</p> <p>a) For goods and services that the Bidder will deliver from within Pakistan, the prices shall be quoted in Pakistani Rupees, unless otherwise specified in the BDS.</p> <p>b) For goods and related services that the Bidder will deliver from outside Pakistan, or for imported parts or components of goods and related services originating outside Pakistan, the Bid prices shall be quoted in any freely convertible currency of another country. If the Bidder wishes to be paid in a combination of amounts in different currencies, it may quote its price accordingly but use no more than three foreign currencies.</p> <p>16.2 For the purposes of comparison of bids quoted in different currencies, the price shall be converted into a single currency specified in the bidding documents. The rate of exchange shall be the selling rate, prevailing on the date of opening of (financial part</p> |

| | |
|--|--|
| | <p>of) bids specified in the bidding documents, as notified by the State Bank of Pakistan on that day.</p> <p>16.3 Bidders shall indicate details of their expected foreign currency requirements in the Bid.</p> <p>16.4 Bidders may be required by the Procuring Agency to clarify their foreign currency requirements and to substantiate that the amounts included in Lump Sum and in the SCC are reasonable and responsive to ITB 16.1.</p> |
| <p>17. Bid Validity Period</p> | <p>17.1 Bids shall remain valid for the period specified in the BDS after the Bid submission deadline prescribed by the Procuring Agency. A Bid valid for a shorter period shall be rejected by the Procuring Agency as non-responsive. The period of Bid validity will be determined from the complementary bid securing instrument i.e., the expiry period of bid security or bid securing declaration as the case may be.</p> <p>17.2 Under exceptional circumstances, prior to the expiration of the initial Bid validity period, the Procuring Agency may request the Bidders' consent to an extension of the period of validity of their Bids only once, for the period not more than the period of initial bid validity. The request and the Bidders responses shall be made in writing or in electronic forms that provide record of the content of communication. The Bid Security provided under ITB 18 shall also be suitably extended. A Bidder may refuse the request without forfeiting its Bid security or causing to be executed its Bid Securing Declaration. A Bidder agreeing to the request will not be required nor permitted to modify its Bid, but will be required to extend the validity of its Bid Security or Bid Securing Declaration for the period of the extension, and in compliance with ITB 18 in all respects.</p> <p>17.3 If the award is delayed by a period exceeding sixty (60) days beyond the expiry of the initial Bid validity period, the contract price may be adjusted by a factor specified in the request for extension. However, the Bid evaluation shall be based on the already quoted Bid Price without taking into consideration on the above correction.</p> |
| <p>18. Bid Security or Bid Securing Declaration</p> | <p>18.1 Pursuant to ITB 11, unless otherwise specified in the BDS, the Bidder shall furnish as part of its Bid, a Bid Security in form of fixed amount not exceeding five percent of the estimated value of procurement determined by the procuring agency and in the amount and currency specified in the BDS or Bid Securing Declaration as specified in the BDS in the format provided in Section VI (Standard Forms).</p> <p>18.2 The Bid Security or Bid Securing Declaration is required to protect the Procuring Agency against the risk of Bidder's conduct which would warrant the security's forfeiture, pursuant to ITB 18.9.</p> |

| | |
|--|--|
| | <p>18.3 The Bid Security shall be denominated in the local currency or in another freely convertible currency, and it shall be in the form specified in the BDS which shall be in any of the following:</p> <ul style="list-style-type: none">a) a bank guarantee, an irrevocable letter of credit issued by a Scheduled bank in the form provided in the Bidding Documents or another form acceptable to the Procuring Agency and valid for twenty-eight (28) days beyond the end of the validity of the Bid. This shall also apply if the period for Bid Validity is extended. In either case, the form must include the complete name of the Bidder;b) a cashier's or certified cheque; orc) another security if indicated in the BDS <p>18.4 The Bid Security or Bid Securing Declaration shall be in accordance with the Form of the Bid Security or Bid Securing Declaration included in Section VI (Standard Forms) or another form approved by the Procuring Agency prior to the Bid submission.</p> <p>18.5 The Bid Security shall be payable promptly upon written demand by the Procuring Agency in case any of the conditions listed in ITB 18.9 are invoked.</p> <p>18.6 Any Bid not accompanied by a Bid Security or Bid Securing Declaration in accordance with ITB 18.1 or 18.3 shall be rejected by the Procuring Agency as non-responsive, pursuant to ITB 29.</p> <p>18.7 Unsuccessful Bidders' Bid Security will be discharged or returned as promptly as possible, however in no case later than thirty (30) days after the expiration of the period of Bid Validity prescribed by the Procuring Agency pursuant to ITB 17. The Procuring Agency shall make no claim to the amount of the Bid Security, and shall promptly return the Bid Security document, after whichever of the following that occurs earliest:</p> <ul style="list-style-type: none">(a) the expiry of the Bid Security;(b) the entry into force of a procurement contract and the provision of a performance security (or guarantee), for the performance of the contract if such a security (or guarantee), is required by the Biding documents;(c) the rejection by the Procuring Agency of all Bids;(d) the withdrawal of the Bid prior to the deadline for the submission of Bids, unless the Biding documents stipulate that no such withdrawal is permitted. |
|--|--|

| | |
|--|--|
| | <p>18.8 The successful Bidder's Bid Security will be discharged upon the Bidder signing the contract pursuant to ITB 42, or furnishing the performance guarantee, pursuant to ITB 43.</p> <p>18.9 The Bid Security may be forfeited or the Bid Securing Declaration executed:</p> <p>a) if a Bidder:</p> <ul style="list-style-type: none"> i) withdraws its Bid during the period of Bid Validity as specified by the Procuring Agency, and referred by the bidder on the Form of Bid except as provided for in ITB 17.2; or ii) does not accept the correction of errors pursuant to ITB 31.2; or <p>b) in the case of a successful Bidder, if the Bidder fails:</p> <ul style="list-style-type: none"> i) to sign the contract in accordance with ITB 42; or ii) to furnish performance security (or guarantee) in accordance with ITB 43. |
| <p>19. Alternative Bids by Bidders</p> | <p>19.1 Bidders shall submit offers that comply with the requirements of the Bidding Documents, including the basic Bidder's technical design as indicated in the specifications and Schedule of Requirements. Alternatives will not be considered, unless specifically allowed for in the BDS. If so allowed, ITB 19.2 shall prevail.</p> <p>19.2 When alternative schedule for supply and installation of equipment is explicitly invited, a statement of that effect will be included in the BDS as will the method for evaluating different schedule for delivery of goods.</p> <p>19.3 If so allowed in the BDS, Bidders wishing to offer technical alternatives to the requirements of the Bidding Documents must also submit a Bid that complies with the requirements of the Bidding Documents, including the basic technical design as indicated in the specifications. In addition to submitting the basic Bid, the Bidder shall provide all information necessary for a complete evaluation of the alternative by the Procuring Agency, including technical specifications, breakdown of prices, and other relevant details. Only the technical alternatives, if any, of the Most Advantageous Bidder conforming to the basic technical requirements (without altering the bid price) shall be considered by the Procuring Agency.</p> |
| <p>20. Withdrawal, Substitution, and Modification of Bids</p> | <p>20.1 Before bid submission deadline, any bidder may withdraw, substitute, or modify its Bid after it has been submitted by sending a written notice, duly signed by an authorized representative, and the corresponding substitution or modification must accompany the respective written notice.</p> <p>20.2 Bids requested to be withdrawn in accordance with ITB 20.1 shall be returned unopened to the Bidders.</p> |



| | |
|---|--|
| <p>21. Format and Signing of Bid</p> | <p>21.1 The Bidder shall prepare an original and the number of copies of the Bid as indicated in the BDS, clearly marking each “ORIGINAL” and “COPY,” as appropriate. In the event of any discrepancy between them, the original shall prevail:</p> <p>Provided that except in Single Stage One Envelope Procedure, the Bid shall include only the copies of technical proposal.</p> <p>21.2 The original and the copy or copies of the Bid shall be typed or written in indelible ink and shall be signed by the Bidder or a person or persons duly authorized to sign on behalf of the Bidder. This authorization shall consist of a written confirmation as specified in the BDS and shall be attached to the Bid. The name and position held by each person signing the authorization must be typed or printed below the signature. All pages of the Bid, except for un-amended printed literature, shall be initialed by the person or persons signing the Bid.</p> <p>21.3 Any interlineations, erasures, or overwriting shall be valid only if they are signed by the person or persons signing the Bidder.</p> |
|---|--|

D. Submission of Bids

| | |
|---|---|
| <p>22. Sealing and Marking of Bids</p> | <p>22.1 In case of Single Stage One Envelope Procedure, the Bidder shall seal the original and each copy of the Bid in separate envelopes, duly marking the envelopes as “ORIGINAL” and “COPY.” The envelopes shall then be sealed in an outer envelope securely sealed in such a manner that opening and resealing cannot be achieved undetected.</p> <p>Note: <i>The envelopes shall be sealed and marked in accordance with the bidding procedure adopted as referred in Rule-36 of PPR-2004.</i></p> <p>22.2 The inner and outer envelopes shall:</p> <ul style="list-style-type: none"> a) be addressed to the Procuring Agency at the address given in the BDS; and b) bear the title of the subject procurement or Project name, as the case may be as indicated in the BDS, the Invitation to Bids (ITB) title and number indicated in the BDS, and a statement: “DO NOT OPEN BEFORE,” to be completed with the time and the date specified in the BDS, pursuant to ITB 23.1. <p>22.3 In case of Single Stage Two Envelope Procedure, The Bid shall comprise two envelopes submitted simultaneously, one called the Technical Proposal and the other Financial Proposal. Both envelopes to be enclosed together in an outer single envelope called the Bid. Each Bidder shall submit his bid as under:</p> <ul style="list-style-type: none"> a) Bidder shall submit his TECHNICAL PROPOSAL and FINANCIAL PROPOSAL in separate inner envelopes and enclosed in a single outer envelope. |
|---|---|



| | |
|---|---|
| | <p>b) ORIGINAL and each copy of the Bid shall be separately sealed and put in separate envelopes and marked as such.</p> <p>c) The envelopes containing the ORIGINAL and copies will be put in one sealed envelope and addressed / identified as given in Sub- Clause 21.2.</p> <p>22.4 The inner and outer envelopes shall:</p> <p>a) be addressed to the Procuring Agency at the address provided in the Bidding Data;</p> <p>b) bear the name and identification number of the contract as defined in the Bidding Data; and provide a warning not to open before the time and date for bid opening, as specified in the Bidding Data. pursuant to ITB 23.1.</p> <p>c) In addition to the identification required in Sub- Clause 21.2 hereof, the inner envelope shall indicate the name and address of the bidder to enable the bid to be returned unopened in case it is declared “late” pursuant to Clause IB.24</p> <p>If all envelopes are not sealed and marked as require by ITB 22.2, ITB 22.3 and ITB 22.4 or incorrectly marked, the Procuring Agency will assume no responsibility for the misplacement or premature opening of Bid</p> |
| <p>23. Deadline for Submission of Bids</p> | <p>23.1 Bids shall be received by the Procuring Agency no later than the date and time specified in the BDS.</p> <p>23.2 The Procuring Agency may, in exceptional circumstances and at its discretion, extend the deadline for the submission of Bids by amending the Bidding Documents in accordance with ITB 9, in which case all rights and obligations of the Procuring Agency and Bidders previously subject to the deadline will thereafter be subject to the new deadline.</p> |
| <p>24. Late Bids</p> | <p>24.1 The Procuring Agency shall not consider for evaluation any Bid that arrives after the deadline for submission of Bids, in accordance with ITB 23.</p> <p>24.2 Any Bid received by the Procuring Agency after the deadline for submission of Bids shall be declared late, recorded, rejected and returned unopened to the Bidder.</p> |
| <p>25. Withdrawal, of Bids</p> | <p>25.1 A Bidder may withdraw its Bid after it has been submitted, provided that written notice of the withdrawal of the Bid, is received by the Procuring Agency prior to the deadline for submission of Bids.</p> <p>25.2 Revised bid may be submitted after the withdrawal of the original bid in accordance with the provisions referred in ITB 22.</p> |

E. Opening and Evaluation of Bids

26. Opening of Bids

- 26.1 The Procuring Agency will open all Bids, in public, in the presence of Bidders' or their representatives who choose to attend, and other parties with a legitimate interest in the Bid proceedings at the place, on the date and at the time, specified in the BDS. The Bidders' representatives present shall sign a register as proof of their attendance.
- 26.2 First, envelopes marked "WITHDRAWAL" shall be opened and read out and the envelope with the corresponding bid shall not be opened, but returned to the Bidder. No bid withdrawal shall be permitted unless the corresponding Withdrawal Notice contains a valid authorization to request the withdrawal and is read out at bid opening.
- 26.3 Second, outer envelopes marked "SUBSTITUTION" shall be opened. The inner envelopes containing the Substitution Bid shall be exchanged for the corresponding Original Bid being substituted, which is to be returned to the Bidder unopened. No envelope shall be substituted unless the corresponding Substitution Notice contains a valid authorization to request the substitution and is read out and recorded at bid opening.
- 26.4 Next, outer envelopes marked "MODIFICATION" shall be opened. No Technical Proposal and/or Financial Proposal shall be modified unless the corresponding Modification Notice contains a valid authorization to request the modification and is read out and recorded at the opening of the Bids. Any Modification shall be read out along with the Original Bid except in case of Single Stage Two Envelope Procedure where only the Technical Proposal, both Original as well as Modification, are to be opened, read out, and recorded at the opening. Financial Proposal, both Original and Modification, will remain unopened till the prescribed financial bid opening date.
- 26.5 Other envelopes holding the Bids shall be opened one at a time, in case of Single Stage One Envelope Procedure, the Bidders names, the Bid prices, the total amount of each Bid and of any alternative Bid (if alternatives have been requested or permitted), any discounts, the presence or absence of Bid Security, Bid Securing Declaration and such other details as the Procuring Agency may consider appropriate, will be announced by the Procurement Evaluation Committee.
- 26.6 In case of Single Stage Two Envelope Procedure, the Procuring Agency will open the Technical Proposals in public at the address, date and time specified in the **BDS** in the presence of Bidders' designated representatives who choose to attend and other parties with a legitimate interest in the Bid proceedings. The Financial Proposals will remain unopened and will be held in custody of the Procuring Agency until the specified time of their opening.



| | |
|-----------------------------------|--|
| | <p>26.7 The envelopes holding the Technical Proposals shall be opened one at a time, and the following read out and recorded: (a) the name of the Bidder; (b) whether there is a modification or substitution; (c) the presence of a Bid Security, if required; and (d) Any other details as the Procuring Agency may consider appropriate.</p> <p>26.8 Bids not opened and not read out at the Bid opening shall not be considered further for evaluation, irrespective of the circumstances. In particular, any discount offered by a Bidder which is not read out at Bid opening shall not be considered further.</p> <p>26.9 Bidders are advised to send in a representative with the knowledge of the content of the Bid who shall verify the information read out from the submitted documents. Failure to send a representative or to point out any un-read information by the sent Bidder's representative shall indemnify the Procuring Agency against any claim or failure to read out the correct information contained in the Bidder's Bid.</p> <p>26.10 No Bid will be rejected at the time of Bid opening except for late Bids which will be returned unopened to the Bidder, pursuant to ITB 24.</p> <p>26.11 The Procuring Agency shall prepare minutes of the Bid opening. The record of the Bid opening shall include, as a minimum: the name of the Bidder and whether or not there is a withdrawal, substitution or modification, the Bid price if applicable, including any discounts and alternative offers and the presence or absence of a Bid Security or Bid Securing Declaration.</p> <p>26.12 The Bidders' representatives who are present shall be requested to sign on the attendance sheet. The omission of a Bidder's signature on the record shall not invalidate the contents and affect the record. A copy of the record shall be distributed to all the Bidders.</p> <p>26.13 A copy of the minutes of the Bid opening shall be furnished to individual Bidders upon request.</p> <p>26.14 In case of Single Stage Two Envelop Bidding Procedure, after the evaluation and approval of technical proposal the procuring agency, shall at a time within the bid validity period, publically open the financial proposals of the technically accepted bids only. The financial proposal of bids found technically non-responsive shall be returned un-opened to the respective bidders subject to redress of the grievances from all tiers of grievances.</p> |
| <p>27. Confidentiality</p> | <p>27.1 Information relating to the examination, clarification, evaluation and comparison of Bids and recommendation of contract award shall not be disclosed to Bidders or any other persons not officially concerned with such process until the time of the announcement of the respective evaluation report.</p> |

| | |
|---|--|
| | <p>27.2 Any effort by a Bidder to influence the Procuring Agency processing of Bids or award decisions may result in the rejection of its Bid.</p> <p>27.3 Notwithstanding ITB 27.2 from the time of Bid opening to the time of contract award, if any Bidder wishes to contact the Procuring Agency on any matter related to the Bidding process, it should do so in writing or in electronic forms that provides record of the content of communication.</p> |
| <p>28. Clarification of Bids</p> | <p>28.1 To assist in the examination, evaluation and comparison of Bids of the Bidders, the Procuring Agency may, ask any Bidder for a clarification. Any clarification submitted by a Bidder that is not in response to a request by the Procuring Agency shall not be considered.</p> <p>28.2 The request for clarification and the response shall be in writing or in electronic forms that provide record of the content of communication. In case of Single Stage Two Envelope Procedure, no change in the prices or substance of the Bid shall be sought, offered, or permitted, whereas in case of Single Stage One Envelope Procedure, only the correction of arithmetic errors discovered by the Procuring Agency in the evaluation of Bids should be sought in accordance with ITB 31.</p> <p>28.3 The alteration or modification in THE BID which in any affect the following parameters will be considered as a change in the substance of a bid:</p> <ol style="list-style-type: none"> a. evaluation & qualification criteria; b. required scope of work or specifications; c. all securities requirements; d. tax requirements; e. terms and conditions of bidding documents. f. change in the ranking of the bidder <p>28.4 From the time of Bid opening to the time of Contract award if any Bidder wishes to contact the Procuring Agency on any matter related to the Bid it should do so in writing or in electronic forms that provide record of the content of communication.</p> |
| <p>29. Preliminary Examination of Bids</p> | <p>29.1 Prior to the detailed evaluation of Bids, the Procuring Agency will determine whether each Bid:</p> <ol style="list-style-type: none"> a. meets the eligibility criteria defined in ITB 3 and ITB 4; b. has been prepared as per the format and contents defined by the Procuring Agency in the Bidding Documents; c. has been properly signed; d. is accompanied by the required securities; and e. is substantially responsive to the requirements of the Bidding Documents. |

| | |
|--|---|
| | <p>The Procuring Agency's determination of a Bid's responsiveness will be based on the contents of the Bid itself.</p> <p>29.2 A substantially responsive Bid is one which conforms to all the terms, conditions, and specifications of the Bidding Documents, without material deviation or reservation. A material deviation or reservation is one that: -</p> <ol style="list-style-type: none"> a. affects in any substantial way the scope, quality, or performance of the Services; b. limits in any substantial way, inconsistent with the Bidding Documents, the Procuring Agency's rights or the Bidders obligations under the Contract; or c. if rectified, would affect unfairly the competitive position of other Bidders presenting substantially responsive Bids. <p>29.3 The Procuring Agency will confirm that the documents and information specified under ITB 11, 12 and 13 have been provided in the Bid. If any of these documents or information is missing, or is not provided in accordance with the Instructions to Bidders, the Bid shall be rejected.</p> <p>29.4 The Procuring Agency may waive off any minor informality, nonconformity, or irregularity in a Bid which does not constitute a material deviation, provided such waiver does not prejudice or affect the relative ranking of any Bidder.</p> <p><i>Explanation: A minor informality, non-conformity or irregularity is one that is merely a matter of form and not of substance. It also pertains to some immaterial defect in a Bid or variation of a bid from the exact requirements of the invitation that can be corrected or waived without being prejudicial to other bidders. The defect or variation is immaterial when the effect on quantity, quality, or delivery is negligible when contrasted with the total cost or scope of the supplies or services being acquired. The Procuring Agency either shall give the bidder an opportunity to cure any deficiency resulting from a minor informality or irregularity in a bid or waive the deficiency, whichever is advantageous to the Procuring Agency. Examples of minor informalities or irregularities include failure of a bidder to –</i></p> <ol style="list-style-type: none"> (a) <i>Submit the number of copies of signed bids required by the invitation;</i> (b) <i>Furnish required information concerning the number of its employees;</i> (c) <i>The firm submitting a bid has formally adopted or authorized, before the date set for opening of bids, the execution of documents by typewritten, printed, or stamped signature and submits evidence of such authorization and the bid carries such a signature.</i> |
|--|---|

| | |
|---|--|
| | <p>29.5 Provided that a Technical Bid is substantially responsive, the Procuring Agency may request the Bidder to submit the necessary information or documentation, within a reasonable period of time, to rectify nonmaterial nonconformities or omissions in the Technical Bid related to documentation requirements. Requesting information or documentation on such nonconformities shall not be related to any such aspect of the technical Proposal linked with the ranking of the bidders. Failure of the Bidder to comply with the request may result in the rejection of its Bid.</p> <p>29.6 Provided that a Technical Bid is substantially responsive, the Procuring Agency shall rectify quantifiable nonmaterial nonconformities or omissions related to the Financial Proposal. To this effect, the Bid Price shall be adjusted, for comparison purposes only, to reflect the price of the missing or nonconforming item or component.</p> <p>29.7 If a Bid is not substantially responsive, it will be rejected by the Procuring Agency and may not subsequently be evaluated for complete technical responsiveness.</p> |
| <p>30. Examination of Terms and Conditions; Technical Evaluation</p> | <p>30.1 The Procuring Agency shall examine the Bid to confirm that all terms and conditions specified in the GCC and the SCC have been accepted by the Bidder without any material deviation or reservation.</p> <p>30.2 The Procuring Agency shall evaluate the technical aspects of the Bid submitted in accordance with ITB 22, to confirm that all requirements specified in Section V – Schedule of Requirements, Technical Specifications of the Bidding Documents have been met without material deviation or reservation.</p> <p>30.3 If after the examination of the terms and conditions and the technical evaluation, the Procuring Agency determines that the Bid is not substantially responsive in accordance with ITB 29, it shall reject the Bid.</p> |
| <p>31. Correctness of Errors</p> | <p>31.1 Bids determined to be substantially responsive will be checked for any arithmetic errors. Errors will be corrected as follows: -</p> <ol style="list-style-type: none"> a. if there is a discrepancy between unit prices and the total price that is obtained by multiplying the unit price and quantity, the unit price shall prevail, and the total price shall be corrected, unless in the opinion of the Procuring Agency there is an obvious misplacement of the decimal point in the unit price, in which the total price as quoted shall govern and the unit price shall be corrected; b. if there is an error in a total corresponding to the addition or subtraction of sub-totals, the sub-totals shall prevail and the total shall be corrected; and |

| | |
|---|--|
| | <p>c. where there is a discrepancy between the amounts in figures and in words, the amount in words will govern.</p> <p>d. Where there is discrepancy between grand total of price schedule and amount mentioned on the Form of Bid, the amount referred in Price Schedule shall be treated as correct subject to elimination of other errors.</p> <p>31.2 The amount stated in the Bid will, be adjusted by the Procuring Agency in accordance with the above procedure for the correction of errors and, with, the concurrence of the Bidder, shall be considered as binding upon the Bidder. If the Bidder does not accept the corrected amount, its Bid will then be rejected, and the Bid Security may be forfeited or the Bid Securing Declaration may be executed in accordance with ITB 18.9.</p> |
| <p>32. Conversion to Single Currency</p> | <p>32.1 To facilitate evaluation and comparison, the Procuring Agency will convert all Bid prices expressed in the amounts in various currencies in which the Bid prices are payable. For the purposes of comparison of bids quoted in different currencies, the price shall be converted into a single currency specified in the bidding documents. The rate of exchange shall be the selling rate, prevailing on the date of opening of (financial part of) bids specified in the bidding documents, as notified by the State Bank of Pakistan on that day.</p> <p>32.2 The currency selected for converting Bid prices to a common base for the purpose of evaluation, along with the source and date of the exchange rate, are specified in the BDS.</p> |
| <p>33. Evaluation of Bids</p> | <p>33.1 The Procuring Agency shall evaluate and compare only the Bids determined to be substantially responsive, pursuant to ITB 29.</p> <p>33.2 In evaluating the Technical Proposal of each Bid, the Procuring Agency shall use the criteria and methodologies listed in the BDS and in terms of Statement of Requirements and Technical Specifications. No other evaluation criteria or methodologies shall be permitted.</p> <p>33.3 The Procuring Agency's evaluation of a Bid will take into account:</p> <ol style="list-style-type: none"> a. in the case of goods manufactured in Pakistan or goods of foreign origin already imported in Pakistan, Income Tax, General Sales Tax and other similar/applicable taxes, which will be payable on the goods if a contract is awarded to the Bidder; b. in the case of goods of foreign origin offered from abroad, customs duties and other similar import taxes which will be payable on the goods if the contract is awarded to the Bidder; and |



| | |
|--|---|
| | <p>33.4 The comparison shall be between the EXW price of the goods offered from within Pakistan, such price to include all costs, as well as duties and taxes paid or payable on components and raw material incorporated or to be incorporated in the goods, and named port of destination, border point, or named place of destination) in accordance with applicable INCOTERM in the price of the goods offered from outside Pakistan.</p> <p>In evaluating the Bidders, the evaluation committee will, in addition to the Bid price quoted in accordance with ITB 15.1, take account of one or more of the following factors as specified in the BDS, and quantified in ITB 32.5:</p> <ol style="list-style-type: none"> a. Cost of inland transportation, insurance, and other costs within the Pakistan incidental to delivery of the goods to their final destination. b. delivery schedule offered in the Bid; c. deviations in payment schedule from that specified in the Special Conditions of Contract; d. the cost of components, mandatory spare parts, and service; e. the availability (in Pakistan) of spare parts and after-sales services for the equipment offered in the Bid; f. the projected operating and maintenance costs during the life of the equipment; g. the performance and productivity of the equipment offered; and/or; h. other specific criteria indicated in the TBS and/or in the Technical Specifications. <p>33.5 For factors retained in BDS, pursuant to ITB 33.4 one or more of the following quantification methods will be applied, as detailed in the BDS:</p> <ol style="list-style-type: none"> a. <i>Inland transportation from EXW/port of entry/border point, Insurance and incidentals:</i> Inland transportation, insurance, and other incidental costs for delivery of the goods from EXW/port of entry/border point to Project Site named in the BDS will be computed for each Bid by the PA on the basis of published tariffs by the rail or road transport agencies, insurance companies, and/or other appropriate sources. To facilitate such computation, Bidder shall furnish in its Bid the estimated dimensions and shipping weight and the approximate EXW or as per applicable INCOTERM value of each package. The above cost will be added by the Procuring Agency to EXW or as per applicable INCOTERM price. b. <i>Delivery Schedule</i> <ol style="list-style-type: none"> i) The Procuring Agency requires that the goods under the Invitation for Bids shall be delivered (shipped) at the time specified in the Schedule of |
|--|---|

| | |
|--|---|
| | <p>Requirements. The estimated time of arrival of the goods at the Project Site will be calculated for each Bid after allowing for reasonable international and inland transportation time. Treating the Bid resulting in such time of arrival as the base, a delivery “adjustment” will be calculated for other Bids by applying a percentage, specified in the BDS, of the EXW or as per applicable INCOTERM price for each week of delay beyond the base, and this will be added to the Bid price for evaluation. No credit shall be given to early delivery. OR</p> <p>ii) The goods covered under this invitation are required to be delivered (shipped) within an acceptable range of weeks specified in the Schedule of Requirement. No credit will be given to earlier deliveries, and Bids offering delivery beyond this range will be treated as non-responsive. Within this acceptable range, an adjustment per week, as specified in the BDS, will be added for evaluation to the Bid price of Bids offering deliveries later than the earliest delivery period specified in the Schedule of Requirements. OR</p> <p>iii) The goods covered under this invitation are required to be delivered (shipped) in partial shipments, as specified in the Schedule of Requirements. Bids offering deliveries earlier or later than the specified deliveries will be adjusted in the evaluation by adding to the Bid price a factor equal to a percentage, specified in the BDS, of EXW or as per applicable INCOTERM price per week of variation from the specified delivery schedule.</p> <p>c. <i>Deviation in Payment Schedule</i></p> <p>i) Bidders shall state their Bid price for the payment schedule outlined in the SCC. Bids will be evaluated on the basis of this base price. Bidders are, however, permitted to state an alternative payment schedule and indicate the reduction in Bid price they wish to offer for such alternative payment schedule. The Procuring Agency may consider the alternative payment schedule offered by the selected Bidder. OR</p> <p>ii) The SCC stipulates the payment schedule offered by the Procuring Agency. If a Bid deviates from the schedule and if such deviation is considered acceptable to the Procuring Agency, the Bid will be evaluated by calculating interest earned for any</p> |
|--|---|

earlier payments involved in the terms outlined in the Bid as compared with those stipulated in this invitation, at the rate per annum specified in the **BDS**.

d. Cost of Spare Parts

- i) The list of items and quantities of major assemblies, components, and selected spare parts, likely to be required during the initial period of operation specified in the **BDS**, is annexed to the Technical Specifications. The total cost of these items, at the unit prices quoted in each Bid, will be added to the Bid price. **OR**
- ii) The Procuring Agency will draw up a list of high-usage and high-value items of components and spare parts, along with estimated quantities of usage in the initial period of operation specified in the **BDS**. The total cost of these items and quantities will be computed from spare parts unit prices submitted by the Bidder and added to the Bid price. **OR**
- iii) The Procuring Agency will estimate the cost of spare parts usage in the initial period of operation specified in the **BDS**, based on information furnished by each Bidder, as well as on past experience of the Procuring Agency or other Procuring Agency's in similar situations. Such costs shall be added to the Bid price for evaluation

e. Spare parts and after sales service facilities in Pakistan

The cost to the Procuring Agency of establishing the minimum service facilities and parts inventories, as outlined in the **BDS** or elsewhere in the Bidding Documents, if quoted separately, shall be added to the Bid price.

f. Operating and maintenance costs

Since the operating and maintenance costs of the goods under procurement form a major part of the life cycle cost of the equipment, these costs will be evaluated in accordance with the criteria specified in the **BDS** or in the Technical Specifications.

g. Performance and productivity of the equipment.

- (i) Bidders shall state the guaranteed performance or

| | |
|--|--|
| | <p>efficiency in response to the Technical Specification. For each drop in the performance orefficiency below the norm of 100, an adjustment for an amount specified in the BDS will be added to the Bid Price, representing the capitalized cost of additional operating costs over the life of the plant, using the methodology specified in the BDS or in the Technical Specifications. OR</p> <p>(ii) Goods offered shall have a minimum productivity specified under the relevant provision in the Technical Specifications to be considered responsive. Evaluation shall be based on the cost per unit of the actual productivity of goods offered in the Bid, and adjustment will be added to the Bid price using the methodology specified in the BDS or in the Technical Specifications.</p> <p><i>h. Specific Additional Criteria</i></p> <p>Other specific additional criteria to be considered in the evaluation and the evaluation method shall be detailed in the BDS and/or the Technical Specifications.</p> <p>33.6 If these Bidding Documents allow Bidders to quote separate prices for different Lots, and the award to a single Bidder of multiple Lots, the methodology of evaluation to determine the lowest evaluated Lot combinations, including any discounts offered in the Form of Bid, is specified in the BDS.</p> |
| <p>34. Domestic Preferences</p> | <p>34.1 If the BDS so specifies, the Procuring Agency will grant a margin of preference to certain goods in line with the rules, regulations, regulatory guides or instructions issued by the Authority from time to time.</p> |
| <p>35. Determination of Most Advantageous Bid</p> | <p>35.1 In case where the Procuring Agency adopts the Cost Based Evaluation Technique and, the Bid with the lowest evaluated price—from amongst those which are eligible, compliant and substantially responsive shall be the Most Advantageous Bid.</p> <p>35.2 The Procuring Agency may adopt the Quality & Cost Based Selection Technique due to the following two reasons:</p> <p>i. Where the Procuring Agency knows about the main features, usage and output of the products; however not clear about the complete features, technical specifications and functionalities of the goods to be procured and requires the bidders to submit their proposals defining those features, specifications and functionalities; or</p> <p>ii. Where the Procuring Agency, in addition to the mandatory</p> |

| | |
|---|--|
| | <p>requirements and mandatory technical specifications, requires parameters specified in Evaluation Criteria to be evaluated while determining the quality of the goods:</p> <p>In such cases, the Procuring Agency may allocate certain weightage to these factors as a part of Evaluation Criteria, and may determine the ranking of the bidders on the basis of combined evaluation in accordance with provisions of Rule 2(1)(h) of PPR-2004.</p> |
| <p>36. Post qualification of Bidder and/or Abnormally Low Financial Proposal</p> | <p>36.1 After determining the Most Advantageous Bid, if neither the pre-qualification was undertaken separately nor any qualification parameters were undertaken as part of determining the Most Advantageous Bid, the Procuring Agency shall carry out the post-qualification of the Bidder using only the requirements specified in the BDS.</p> <p>In case of International Tendering, the parameters for incorporation or licensing within Pakistan may be fulfilled as part of post qualification.</p> <p>36.2 Where the Bid price is considered to be abnormally low, the Procuring Agency shall perform price analysis either during determination of Most Advantageous Bid or as a part of the post-qualification process. The following process shall apply:</p> <ol style="list-style-type: none"> (a) The Procuring Agency may reject a Bid if the Procuring Agency has determined that the price in combination with other constituent elements of the Bid is abnormally low in relation to the subject matter of the procurement (i.e. scope of the procurement or ancillary services) and raises concerns as to the capability and capacity of the respective Bidder to perform that contract (b) Before rejecting an abnormally low Bid the Procuring Agency shall request the Bidder an explanation of the Bid or of those parts which it considers contribute to the Bid being abnormally low; take account of the evidence provided in response to a request in writing; and subsequently verify the Bid or parts of the Bid being abnormally low; (c) The decision of the Procuring Agency to reject a Bid and reasons for the decision shall be recorded in the procurement proceedings and promptly communicated to the Bidder concerned; (d) The Procuring Agency shall not incur any liability solely by rejecting abnormally Bid; and (e) An abnormally low Bid means, in the light of the Procuring Agency's estimate and of all the Bids submitted, the Bid appears to be abnormally low by not providing a margin for |

| | |
|--|--|
| | <p>normal levels of profit.</p> <p><u>Guidance for Procuring Agency:</u></p> <p>In order to identify the Abnormally Low Bid (ALB) following approaches can be considered to minimize the scope of subjectivity:</p> <ul style="list-style-type: none"> (i) Comparing the bid price with the cost estimate; (ii) Comparing the bid price with the bids offered by other bidders submitting substantially responsive bids; and (iii) Comparing the bid price with prices paid in similar contracts in the recent past either government- or development partner-funded. <p>36.3 The Procuring Agency will determine to its satisfaction whether the Bidder that is selected as having submitted the most advantageous Bid is qualified to perform the contract satisfactorily, in accordance with the criteria listed in ITB 13.3.</p> <p>36.4 The determination will take into account the Bidder's financial, technical, and production capabilities. It will be based upon an examination of the documentary evidence of the Bidder's qualifications submitted by the Bidder, pursuant to ITB 13.3, as well as such other information as the Procuring Agency deems necessary and appropriate. Factors not included in these Bidding Documents shall not be used in the evaluation of the Bidders' qualifications.</p> <p>36.5 Procuring Agency may seek "Certificate for Independent Price Determination" from the Bidder and the results of reference checks may be used in determining award of contract.</p> <p>Explanation: The Certificate shall be furnished by the bidder. The bidder shall certify that the price is determined keeping in view of all the essential aspects such as raw material, its processing, value addition, optimization of resources due to economy of scale, transportation, insurance and margin of profit etc.</p> <p>36.6 An affirmative determination will be a prerequisite for award of the contract to the Bidder. A negative determination will result in rejection of the Bidder's Bid, in which event the Procuring Agency will proceed to the next ranked bidder to make a similar determination of that Bidder's capabilities to perform satisfactorily.</p> |
|--|--|

| <u>F. Award of Contract</u> | |
|---|---|
| 37. Criteria of Award | <p>37.1 Subject to ITB 36 and 38, the Procuring Agency will award the Contract to the Bidder whose Bid has been determined to be substantially responsive to the Bidding Documents and who has been declared as Most Advantageous Bidder, provided that such Bidder has been determined to be:</p> <ol style="list-style-type: none"> a) eligible in accordance with the provisions of ITB 3; b) is determined to be qualified to perform the Contract satisfactorily; and c) Successful negotiations have been concluded, if any. |
| 38. Negotiations | <p>38.1 Negotiations may be undertaken with the Most Advantageous Bid relating to the following areas:</p> <ol style="list-style-type: none"> (a) a minor alteration to the technical details of the statement of requirements; (b) reduction of quantities for budgetary reasons, where the reduction is in excess of any provided for in the Bidding documents; (c) a minor amendment to the special conditions of Contract; (d) finalizing payment arrangements; (e) delivery arrangements; (f) the methodology for provision of related services; or (g) clarifying details that were not apparent or could not be finalized at the time of Bidding; <p>38.2 Where negotiation fails to result into an agreement, the Procuring Agency may invite the next ranked Bidder for negotiations. Where negotiations are commenced with the next ranked Bidder, the Procuring Agency shall not reopen earlier negotiations.</p> |
| 39. Procuring Agency's Right to reject All Bids | <p>39.1 Notwithstanding ITB 37, the Procuring Agency reserves the right to reject all the bids, and to annul the Bidding process at any time prior to award of contract, without thereby incurring any liability to the affected Bidder or Bidders. However, the Authority (i.e. PPRA) may call from the Procuring Agency the justification of those grounds.</p> <p>39.2 Notice of the rejection of all Bids shall be given promptly to all Bidders that have submitted Bids.</p> <p>39.3 The Procuring Agency shall upon request communicate to any Bidder the grounds for its rejection of its Bids, but is not required to justify those grounds</p> |
| 40. Procuring Agency's Right to Vary Quantities at the time of Award | <p>40.1 The Procuring Agency reserves the right at the time of contract award to increase or decrease the quantity of goods or related services originally specified in these Bidding Documents</p> |



| | |
|--|---|
| | (schedule of requirements) provided this does not exceed by the percentage indicated in the BDS, without any change in unit price or other terms and conditions of the Bid and Bidding Documents. |
| 41. Notification of Award | <p>41.1 Prior to the award of contract, the Procuring Agency shall issue a Final Evaluation Report giving justification for acceptance or rejection of the bids.</p> <p>41.2 Where no complaints have been lodged, the Bidder whose Bid has been accepted will be notified of the award by the Procuring Agency prior to expiration of the Bid Validity period in writing or electronic forms that provide record of the content of communication. The Letter of Acceptance will state the sum that the Procuring Agency will pay the successful Bidder in consideration for the execution of the scope of works as prescribed by the Contract (hereinafter and in the Contract called the "Contract Price).</p> <p>41.3 The notification of award will constitute the formation of the Contract, subject to the Bidder furnishing the Performance Security (or guarantee) in accordance with ITB 43 and signing of the contract in accordance with ITB 42.2.</p> <p>41.4 Upon the successful Bidder's furnishing of the performance security (or guarantee) pursuant to ITB 43, the Procuring Agency will promptly notify each unsuccessful Bidder, the name of the successful Bidder and the Contract amount and will discharge the Bid Security or Bid Securing Declaration of the Bidders pursuant to ITB 18.7.</p> |
| 42. Signing of Contract | <p>42.1 Promptly after notification of award, Procuring Agency shall send the successful Bidder the draft agreement, incorporating all terms and conditions as agreed by the parties to the contract.</p> <p>42.2 Immediately after the Redressal of grievance by the GRC, and after fulfillment of all conditions precedent of the Contract Form, the successful Bidder and the Procuring Agency shall sign the contract.</p> <p>42.3 Where no formal signing of a contract is required, purchase order issued to the bidder shall be construed to be the contract.</p> |
| 43. Performance Security (or Guarantee) | <p>43.1 After the receipt of the Letter of Acceptance, the successful Bidder, within the specified time, shall deliver to the Procuring Agency a Performance Security (or Guarantee) in the amount and in the form stipulated in the BDS and SCC, denominated in the type and proportions of currencies in the Letter of Acceptance and in accordance with the Conditions of Contract.</p> <p>43.2 If the Performance Security (or Guarantee) is provided by the successful Bidder and it shall be in the form specified in the BDS which shall be in any of the following:</p> |



| | |
|---|--|
| | <p>(a) certified cheque, cashier's or manager's cheque, or bank draft;</p> <p>(b) irrevocable letter of credit issued by a Scheduled bank or in the case of an irrevocable letter of credit issued by a foreign bank, the letter shall be confirmed or authenticated by a Scheduled bank.</p> <p>(c) bank guarantee confirmed by a reputable local bank or, in the case of a successful foreign Bidder, bonded by a foreign bank; or</p> <p>(d) surety bond callable upon demand issued by any reputable surety or insurance company.</p> <p>Any Performance Security (or guarantee) submitted shall be enforceable in Pakistan.</p> <p>43.3 Failure of the successful Bidder to comply with the requirement of ITB 43.1 shall constitute sufficient grounds for the annulment of the award and forfeiture of the Bid Security, in which event the Procuring Agency may make the award to the next ranked Bidder or call for new Bids.</p> |
| 44. Advance Payment | <p>44.1 The advance payment will not be provided in normal circumstances. However, in case where international incoterms are involved, the same will be dealt with standard international practices and in the manner as prescribed in ITB 44.2.</p> <p>44.2 The Procuring Agency will provide an Advance Payment as stipulated in the Conditions of Contract, subject to a maximum amount, as stated in the BDS. The Advance Payment request shall be accompanied by an Advance Payment Security (Guarantee) in the form provided in Section IX. For the purpose of receiving the Advance Payment, the Bidder shall make and estimate of, and include in its Bid, the expenses that will be incurred in order to commence Delivery of Goods. These expenses will relate to the purchase of equipment, machinery, materials, and on the engagement of labor during the first month beginning with the date of the Procuring Agency's "Notice to Commence" as specified in the SCC.</p> |
| 45. Arbitrator | <p>45.1 The Arbitrator shall be appointed by mutual consent of both parties as per the provisions specified in the SCC.</p> |
| 46. Corrupt and Fraudulent Practices | <p>46.1 Procuring Agencies (including beneficiaries of Government funded projects and procurement) as well as Bidders/Suppliers/Contractors under Government financed contracts, observe the highest standard of ethics during the</p> |

| | |
|---|--|
| | procurement and execution of such contracts, and will avoid to engage in any corrupt and fraudulent practices. |
| <u>G. Grievance Redressal & Complaint Review Mechanism</u> | |
| 47. Constitution of Grievance Redressal Committee | 47.1 Procuring agency shall constitute a Grievance Redressal Committee (GRC) comprising of odd number of person with proper power and authorization to address the complaint. The GRC shall not have any of the members of Procurement Evaluation Committee. The committee must have one subject specialist depending the nature of the procurement. |
| 48. GRC Procedure | <p>48.1 Any party can file its written complaint against the eligibility parameters or any other terms and conditions prescribed in the prequalification or bidding documents found contrary to provision of Procurement Regulatory Framework, and the same shall be addressed by the GRC well before the bid submission deadline.</p> <p>48.2 Any Bidder feeling aggrieved by any act of the procuring agency after the submission of his bid may lodge a written complaint concerning his grievances not later than seven days of the announcement of technical evaluation report and five days after issuance of final evaluation report.</p> <p>48.3 In case, the complaint is filed against the technical evaluation report, the GRC shall suspend the procurement proceedings.</p> <p>48.4 In case, the complaint is filed after the issuance of the final evaluation report, the complainant cannot raise any objection on technical evaluation of the report: Provided that the complainant may raise the objection on any part of the final evaluation report in case where single stage one envelop bidding procedure is adopted.</p> <p>48.5 The GRC, in both the cases shall investigate and decide upon the complaint within ten days of its receipt.</p> <p>48.6 Any bidder or the procuring agency not satisfied with the decision of the GRC may file Appeal before the Appellate Committee of the Authority on prescribed format after depositing the prescribed fee.</p> <p>48.7 The Committee, upon receipt of the Appeal against the decision of the GRC complete in all respect shall serve notices in writing upon all the parties to Appeal.</p> <p>48.8 The committee shall call the record from the concerned procuring agency or the GRC as the case may be, and the same shall be provided within prescribed time.</p> <p>48.9 The committee may after examination of the relevant record and hearing all the concerned parties, shall decide the complaint within fifteen (15) days of receipt of the Appeal.</p> <p>48.10 The decision of the Committee shall be in writing and shall be signed by the Head and each Member of the Committee.</p> |

| | |
|--|--|
| | The decision of the committee shall be final. |
| <u>H. MECHANISM OF BLACKLISTING</u> | |
| 49. Mechanism of Blacklisting | <p>49.1 The Procuring Agency shall bar for not more than the time prescribed in Rule-19 of the Public Procurement Rules, 2004, from participating in their respective procurement proceedings, bidder or contractor who either:</p> <ol style="list-style-type: none"> i. Involved in corrupt and fraudulent practices as defined in Rule-2 of Public Procurement Rules; ii. Fails to perform his contractual obligations; and iii. Fails to abide by the id securing declaration; <p>49.2 The show cause notice shall contain: (a) precise allegation, against the bidder or contractor; (b) the maximum period for which the Procuring Agency proposes to debar the bidder or contractor from participating in any public procurement of the Procuring Agency; and (c) the statement, if needed, about the intention of the Procuring Agency to make a request to the Authority for debarring the bidder or contractor from participating in public procurements of all the procuring agencies.</p> <p>49.3 The procuring agency shall give minimum of seven days to the bidder or contractor for submission of written reply of the show cause notice.</p> <p>49.4 In case, the bidder or contractor fails to submit written reply within the requisite time, the Procuring Agency may issue notice for personal hearing to the bidder or contractor/ authorize representative of the bidder or contractor and the procuring agency shall decide the matter on the basis of available record and personal hearing, if availed.</p> <p>49.5 In case the bidder or contractor submits written reply of the show cause notice, the Procuring Agency may decide to file the matter or direct issuance of a notice to the bidder or contractor for personal hearing.</p> <p>49.6 The Procuring Agency shall give minimum of seven days to the bidder or contractor for appearance before the specified officer of the Procuring Agency for personal hearing. The specified officer shall decide the matter on the basis of the available record and personal hearing of the bidder or contractor, if availed.</p> <p>49.7 The procuring Agency shall decide the matter within fifteen days from the date of personal hearing unless the personal hearing is adjourned to a next date and in such an eventuality, the period of personal hearing shall be reckoned from the last date of</p> |

| | |
|--|---|
| | <p>personal hearing.</p> <p>49.8 The Procuring Agency shall communicate to the bidder or contractor the order of debarring the bidder or contractor from participating in any public procurement with a statement that the bidder or contractor may, within thirty days, prefer a representation against the order before the Authority.</p> <p>49.9 Such blacklisting or barring action shall be communicated by the procuring agency to the Authority and respective bidder or bidders in the form of decision containing the grounds for such action. The same shall be publicized by the Authority after examining the record whether the procedure defined in blacklisting and debarment mechanism has been adhered to by the procuring agency.</p> <p>49.10 The bidder may file the review petition before the Review Petition Committee Authority within thirty days of communication of such blacklisting or barring action after depositing the prescribed fee and in accordance with “Procedure of filing and disposal of review petition under Rule-19(3) Regulations, 2021”. The Committee shall evaluate the case and decide within ninety days of filing of review petition</p> <p>49.11 The committee shall serve a notice in writing upon all respondent of the review petition. The notices shall be accompanied by the copies of review petition and all attached documents of the review petition including the decision of the procuring agency. The parties may file written statements along with essential documents in support of their contentions. The Committee may pass such order on the representation may deem fit.</p> <p>49.12 The Authority on the basis of decision made by the committee either may debar a bidder or contractor from participating in any public procurement process of all or some of the procuring agencies for such period as the deemed appropriate or acquit the bidder from the allegations. The decision of the Authority shall be final.</p> |
|--|---|

SECTION III: BID DATA SHEET



Section III. Bid Data Sheet (BDS)

| BDS Clause Number | ITB Number | Amendments of, and Supplements to, Clauses in the Instruction to Bidders |
|-------------------------------|-----------------|---|
| 1. INTRODUCTION | | |
| 1. | 1.1 | Name of Procuring Agency: SBP Banking Services Corporation. The Description (as specified in Invitation to Bids) of the Goods is: “Supply of Plastic Cash Trays at SBP Banking Services Corporation” Period for Contract: <i>Upon expiry of 01-year warranty period from the date of delivery acceptance.</i> Commencement date for delivery: <i>As per Schedule of Requirement.</i> |
| 2. | 2.1 | Financial year for the operations of the Procuring Agency: [2023-24] Name of Project: “Supply of Plastic Cash Trays at SBP Banking Services Corporation” Name and identification number of the Contract: GSD (PROC-III)/ 11097 / Cash Trays / 2023-24 |
| 3. | 3.1 | Joint Venture is NOT Applicable |
| 4. | 4.1 | Ineligible country(s) are [<i>as per Section IV of the Bidding Documents</i>] |
| 5. | 4.5 | Demonstration of authorization by manufacturer: Manufacturer’s Authorization Form is not required. |
| 2. BIDDING DOCUMENTS | | |
| 6. | 7.2 | The number of documents to be completed and returned is one original and [<i>one copy</i>] |
| 7. | 8.1 | The address for clarification of Bidding Documents is Joint Director Procurement Division III, General Services Department, SBP Banking Services Corporation (SBP BSC) 4th Floor BSC House, I.I Chundrigar Road, Karachi Phone: (92-21)–32455415 & 32455472, Facsimile :(92-21)-99221176 Email: gsd.proc-iii@sbp.org.pk, Website: www.sbp.org.pk |
| | 8.5 | Pre-Bid Meeting is not required. |
| 3. PREPARATION OF BIDS | | |
| 8. | 10.1 | The Language of all correspondences and documents related to the Bid is English. |
| 9. | 11.1 (h) | In addition to the documents stated in ITB 11 , the following documents must be included with the Bid a) Affidavit for Bidder’s Blacklisting Status |



| b) Declaration for Beneficial Ownership | | |
|---|-----------------|--|
| 10. | 12.3 (c) | Other procurement specific documentation requirements are Not Required |
| 11. | 12.4 | Not Required |
| 12. | 13.3 (b) | <p>The eligibility and qualification criteria required from Bidders in ITB 13.3(b) is modified as follows:</p> <ul style="list-style-type: none"> a. Bidder must be original manufacturer / supplier of plastic products in Pakistan; b. Bidder must show proof of supply of custom-made plastic products to minimum three (03) customers in Pakistan during any of the last 05 years; c. Bidder must have Annual Sales Volume/Gross Turnover of at least ten (10) million rupees, in any of last three (03) financial years; d. Bidder must be registered with Income and Sales Tax Department and also appear on Active Taxpayers List (ATL) of FBR; e. Bidder must not have been blacklisted or be in breach of performance with SBP or any Organization(s). <p>The Bidder is required to include with its Bid, documentation from the manufacturer of the goods that it has been duly authorized to deliver, in Pakistan, the goods as indicated in its Bid.</p> |
| 13. | 15.6 (a) | <p>For goods manufactured or delivered from within Pakistan the price quoted shall be on a Delivered Duty Paid (DDP) basis, inclusive of all taxes, stamps, duties, levies, fees, transportation, insurance, incidental services imposed till the delivery location specified in the Schedule of Requirements.</p> <p>No separate payment shall be made for the incidental services to delivery of the goods to their final destination i.e. Procuring Agency's Site(s).</p> |
| 14. | 15.6 (b) | <p>For goods offered from abroad the price quoted shall be:</p> <p>Not Applicable</p> |
| 15. | 15.8 | The price shall be fixed. |
| 16. | 16.1 (a) | <ul style="list-style-type: none"> a) For goods and related services originating or delivering within Pakistan, the currency of the Bid shall be Pakistani Rupees; b) For goods and related services that the Bidder will deliver from outside Pakistan : Not applicable. |
| 17. | 17.1 | The Bid Validity period shall be 140 days. |
| 18. | 18.1 | Bid Securing Declaration is Applicable |
| 19. | 18.3 | The Bid Security is ' Not Applicable ' |
| 20. | 18.3 (c) | Another Security: Not Applicable. |
| 21. | 19.1 | Alternative Bids to the requirements of the Bidding Documents will not be permitted. |
| 22. | 21.1 | The number of copies of the Bid to be completed and returned shall be One. |

| | | |
|--|----------|--|
| 23. | 21.2 | Duly notarized Power of Attorney authorizing the signatory of the Bidder to submit the Bid. |
| 24. | 21.2 | Written confirmation of authorization are: <i>[list acceptable confirmation of authorizations]</i> |
| 4. SUBMISSION OF BIDS | | |
| 25. | 22.2 (a) | <p>Bid shall be submitted at the office of:</p> <p style="text-align: center;">Joint Director Procurement Division III, General Services Department, SBP Banking Services Corporation (SBP BSC) 4th Floor BSC House, I.I Chundrigar Road, Karachi Phone: (92-21)-32455415 & 32455472, Facsimile :(92-21)-99221176 Email: gsd.proc-iii@sbp.org.pk, Website: www.sbp.org.pk</p> |
| 26. | 22.2 (b) | <p>Title of the subject Procurement or Project name: <i>“Supply of Plastic Cash Trays at SBP Banking Services Corporation”</i></p> <p>ITB title and No: <i>GSD (PROC-III)/ 11097 / Cash Trays / 2023-24</i></p> <p>Friday, May 17, 2024, 11:00 AM</p> |
| 27. | 23.1 | <p>The deadline for Bid submission is:</p> <p>Friday, May 17, 2024, 11:00 AM</p> |
| 5. OPENING AND EVALUATION OF BIDS | | |
| 28. | 26.1 | <p>The Bid opening shall take place at:</p> <p>Meeting Room, General Services Department 4th Floor BSC House, SBP Banking Services Corporation (HOK), I.I Chundrigar Road, Karachi – Pakistan.</p> <p>Friday, May 17, 2024, 11:30 AM</p> <p>In case of any unforeseen reasons, unrest or force majeure, which may cause delay on the bid opening date, the bids shall be opened on the next working day at the same place and time.</p> |
| 29. | 27 | <p>Information relating to evaluation of bids and recommendations concerning to award of the contract shall not be disclosed by the Procuring Agency to the bidders or to any other person who is not officially concerned with the process, until the announcement of the result of evaluation.</p> <p>The Bidder shall not disclose or attempt to make public any information relating to the bidding documents, bidding process and award of the contract to any person or entity without the Procuring Agency’s prior written consent.</p> |

| | | |
|-----------------------------|----------------------|---|
| | | In case of any disclosure related to the bidding process and contractual obligations at any stage by any bidder, the Procuring Agency may reject its bid and/or terminate the contract. |
| 30. | 32.2 | The currency that shall be used for Bid evaluation and comparison purposes is Pakistani Rupees. |
| 31. | 33.4 (h) | Other specific criteria are Nil |
| 32. | 33.5 (b) | Delivery schedule: The goods covered under this invitation are required to be delivered (shipped) within an acceptable range of weeks specified in the Schedule of Requirement. No credit will be given to earlier deliveries, and Bids offering delivery beyond this range will be treated as non-responsive. |
| 33. | 33.5 (c) (ii) | Deviation in payment schedule is Not Applicable. |
| 34. | 33.5 (d) | Cost of spare parts. Not Applicable |
| 35. | 33.5(e) | Spare parts and after sales service facilities in Pakistan. Not Applicable. |
| 36. | 33.5 (f) | Operating and maintenance costs. As specified in the Technical Specifications of the Bidding Documents. |
| 37. | 33.5 (g) | Performance and productivity of Items Offered supplies shall have a minimum productivity specified under the relevant provision to be considered responsive as specified in the Technical Specifications. Evaluation shall be based on the cost per unit of the actual productivity of goods offered in the Bid. |
| 38. | 33.5 (h) | Specific additional criteria to be used in the evaluation and their evaluation method or reference to the Technical Specifications is Not Applicable. |
| 39. | 33.6 | Bidder(s) shall submit bid for Complete Requirement. Evaluation of bids and Award of Contract(s) will be made on complete requirement. |
| 40. | 34.1 | Domestic preference Not Applicable. |
| 41. | 35 | Evaluation Techniques Least Cost Based Selection (LCBS) After meeting the requirements of eligibility, qualification and substantial responsiveness, the bid in compliance with all the mandatory (technical) specifications/requirements and/or requisite quality threshold (if any), and having lowest evaluated cost (or financial proposal) for each individual Package shall be considered highest ranked bid (Most Advantageous Bid). |
| 6. AWARD OF CONTRACT | | |
| 42. | 40.1 | Percentage for quantity increase or decrease is 15%. |

| | | |
|---|------|---|
| 43. | 43.1 | 10% Performance Guarantee is required of the total contract amount for the entire contract period. |
| 44. | 43.2 | The Performance Guarantee shall be in the form of Retention of contract amount. |
| 45. | 44.1 | The Advance Payment is Not Applicable . |
| 46. | 44.2 | The Advance Payment is Not Applicable . |
| 47. | 45.1 | In case of any dispute arises between the procuring agency and bidder (hereinafter referred to as parties) in connection with or arising out of the contract or the bid, the dispute shall be resolved amicably by the parties. In case if the parties fail to resolve the dispute amicably, such dispute shall be resolved through Arbitration in accordance with Arbitration Act, 1940. |
| 7. REVIEW OF PROCUREMENT DECISIONS | | |
| 48. | 48.1 | The address of the Procuring Agency Chairman (Grievance Redressal Committee) SBP Banking Services Corporation 1 st Floor, HRMD, BSC House, I.I. Chundrigar Road, Karachi - Pakistan |
| | 48.6 | The Address of PPRA to submit a copy of grievance: Grievance Redressal Appellate Committee, Public Procurement Regulatory Authority 1 st Floor, G-5/2, Islamabad, Pakistan Tel: +92-51-9202254 |

SECTION IV: ELIGIBLE COUNTRIES

All the bidders are allowed to participate in the subject procurement without regard to nationality, except bidders of some nationality, prohibited in accordance with policy of the Federal Government.

Following countries are ineligible to participate in the procurement process:

1. India
2. Israel

Ministry of Interior, Government of Pakistan has notified List of Business Friendly Countries (BVL). Information can be accessed through following link:

<http://www.dgip.gov.pk/Files/Visa%20Categories.aspx#L>

**SECTION V: SCHEDULE OF REQUIREMENTS, TECHNICAL
SPECIFICATIONS**



Schedule of Requirement

The delivery schedule expressed as weeks/months stipulates hereafter a delivery date which is the date of delivery required.

The schedule provides "Supply of Plastic Cash Trays" to be delivered at SBP BSC Field Offices as per the following requirements:

| Equipment | KHI | LHR | FSD | PSH | RWP | MUL | QTA | Total |
|-------------------|--|-----|-----|-----|-----|-----|-----|--------------|
| Cash Trays | 380 | 380 | 380 | 200 | 380 | 200 | 200 | 2,120 |
| Delivery Timeline | 90 Days from the Date of Notification of Award | | | | | | | |

NOTE: Five (05) Plastic Cash Trays shall be completed as sample and demonstrated by the Most Advantageous bidder at SBP BSC Karachi for approval. Once approved, the total BOQ shall be shipped to the recipient offices at no extra cost to the bank.



Scope and Requirement

- The project involves engaging a vendor for production of cash trays for the State Bank of Pakistan Banking Services Corporation (SBP BSC) via injection molding process. The trays are to be supplied to SBP BSC Karachi, Lahore, Faisalabad, Peshawar, Rawalpindi, Multan & Quetta.
- Production of **2,120 plastic cash trays & covers** using the Bank's provided molds.
- SBP BSC shall provide its own steel molds (bin and lid) for the project, which shall be returned to the bank in perfect condition after completion of the assignment or as directed by the bank in writing.
- Upon return, the successful bidder shall be responsible to ensure that the molds are packed in a secure manner and ensure that they are safeguarded against elemental wear and tear.

Technical Specifications

Material & Product Specification of Plastic cash tray & Lid (Cover):

1. The product should be produced with injection grade Polypropylene (PP) Random Copolymer plastic material and may belong to any one of the following manufacturers:
 - SABIC (PP QR6701K , or equivalent)
 - Lyondell Basell (Moplen RP 340N, or equivalent)

If other manufacturers are selected, the resin grade should be comparable with the grades offered by the above mentioned manufacturers.

2. The plastic cash tray produced should have properties in the following ranges of different tests:

| Description | Range/Value | Standard |
|-----------------------------|----------------------|--------------------------|
| Density | (> 0.9) | (ASTM D 1238) (ISO 1183) |
| Clarity | Clear to Translucent | |
| Tensile Strength (at Yield) | (12 to 14%) | (ASTM D 638) (ISO 527-2) |
| Stress at yield | (26 to 30 MPA) | (ISO 527-2) |
| Melt Flow Index , MFI | (10-13) | (ISO 1133) |
| Rockwell Hardness R Scale | (91-94) | (ASTM D 785) |
| Heat Deflection Temperature | (75 - 83 °C) | (ASTM D 648) |

3. General Instructions:
 - i. Natural color of the resin without any color (pigment, master batch, etc.,) has to be retained for molding purposes.
 - ii. No recycle and off-spec material to be used in the product.
 - iii. Virgin plastic material (resin) will be used for molding the product.

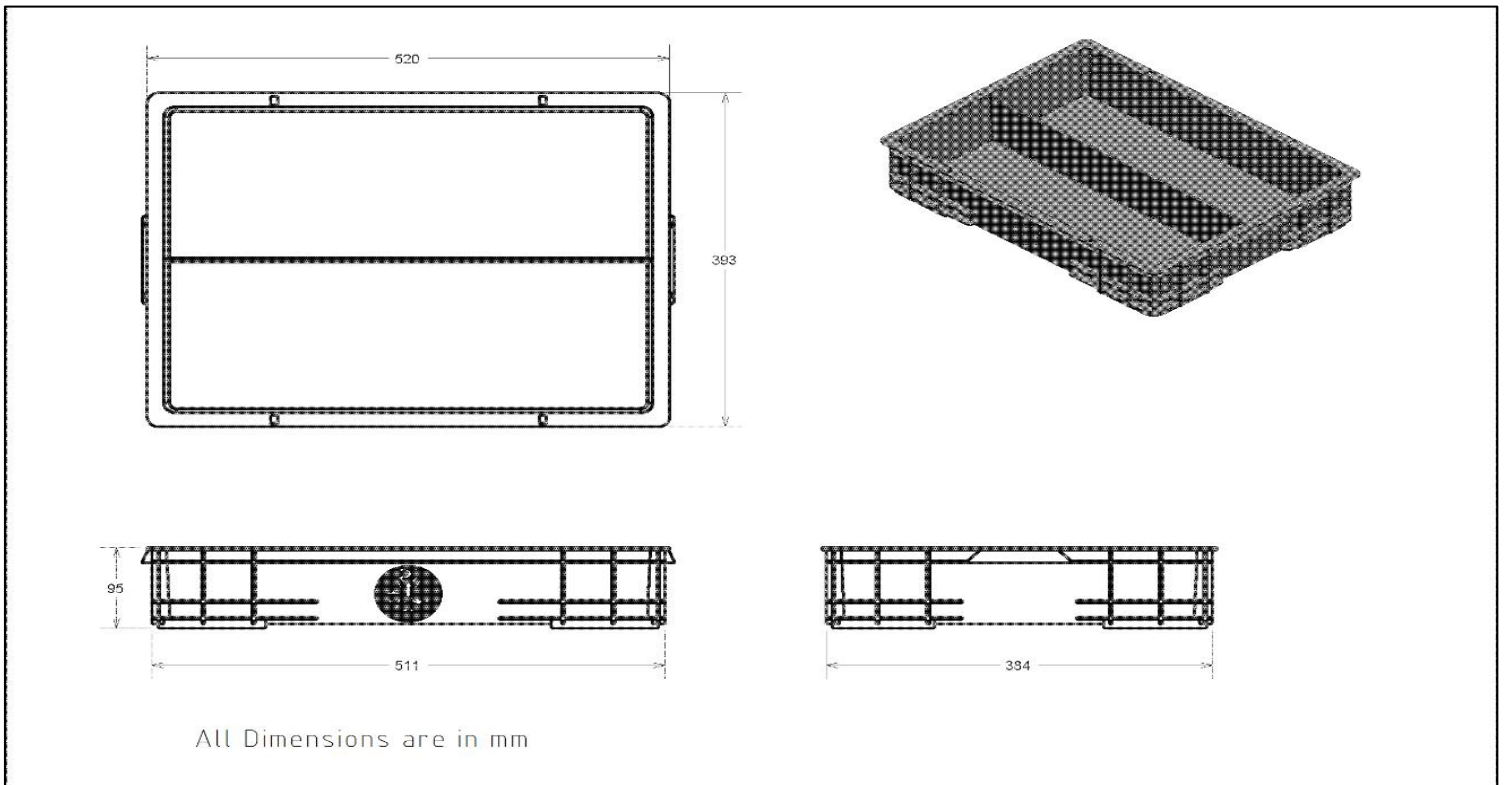
- iv. The product should be free of molding defects like:
 - Flow Marks
 - Warpage
 - Ejector Marks
 - Streaks
 - Burn Marks
 - Weld lines
- v. Finalized tray and lid should essentially be “unbreakable” i.e. should be able to withstand falls from heights of up to 4-5 feet and withstand a load bearing of at least 50 KGs without breakage.
- vi. The product specified as Tray & Lid should conform to the dimensional specifications as per enclosed drawing (s). General Tolerance has to be maintained.
- vii. The Tray & Lid should snugly fit. A general tolerance of +/- 0.3 mm has to be maintained.
- viii. Each tray shall have batching details as per the specimen provided in the technical specifications. The final information to be embossed on each tray shall be mutually decided between the successful bidder and the Bank subsequent to award of contract.
- ix. In case of dispute in qualitative factors e.g. aesthetics, etc., the decision of the Bank will be final.
- x. Delivery of the product to be made in individually packed plastic sheet or bag. Delivery shall only be accepted in cartons containing 5 trays each.

Quality Assurance & Testing

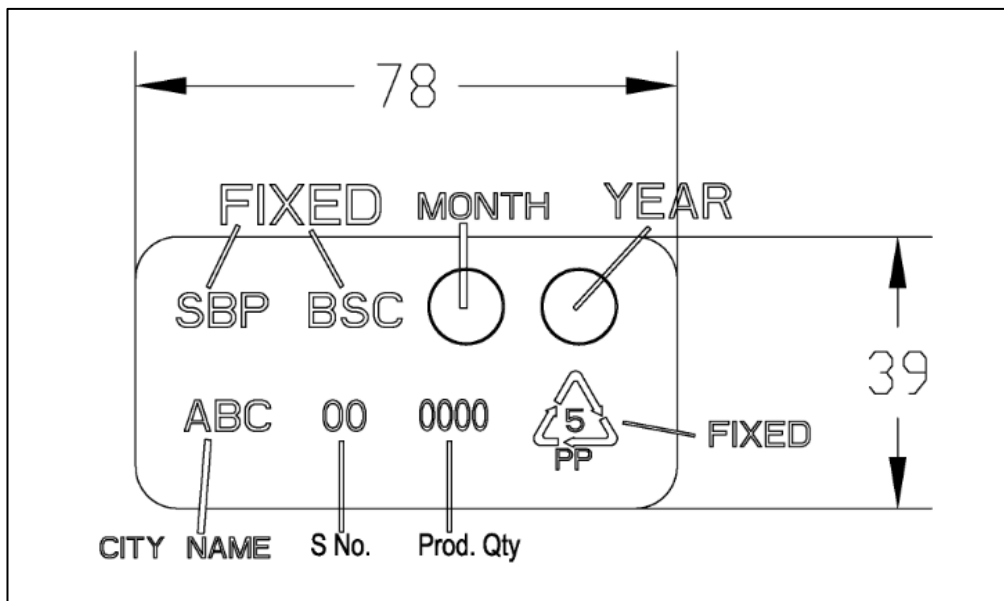
1. The Bank reserves the right to conduct quality assessment test of the final trays from a Government approved laboratory.
2. The properties of the sample trays should fall in the ranges provided above for each test.
3. Cost of laboratory tests (if any) will be borne by the Bank.
4. The supplier will have to submit a proof of purchase of materials used in the manufacturing of the trays. If imported, the invoice/purchase certificate containing material details, are to be submitted to the Bank.

Important Note: In case where the sample trays fail to meet the testing parameters the whole lot will be rejected and the Bank will not be liable to make any payments on this account.

Annexure A

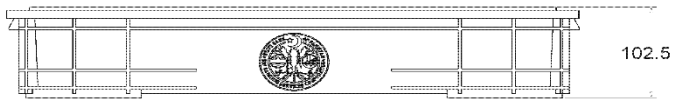
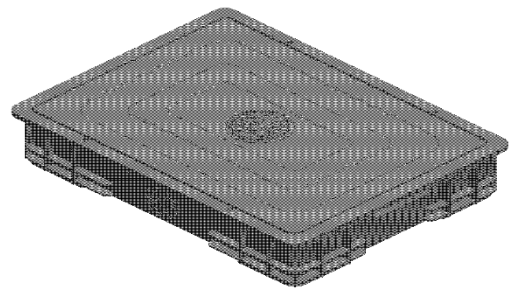
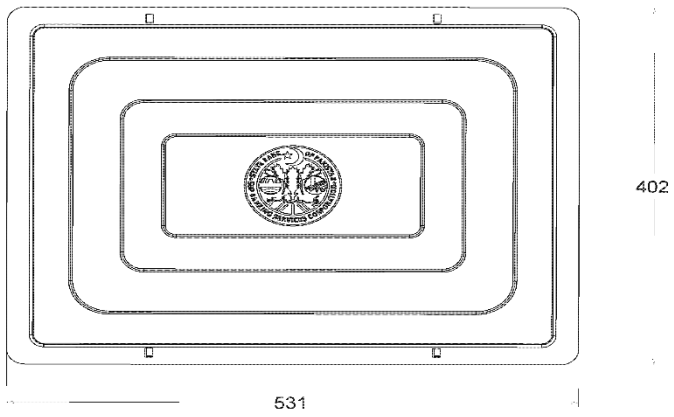


Batching Details (all Dimensions in mm):

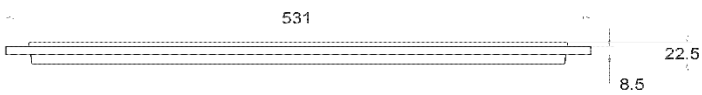
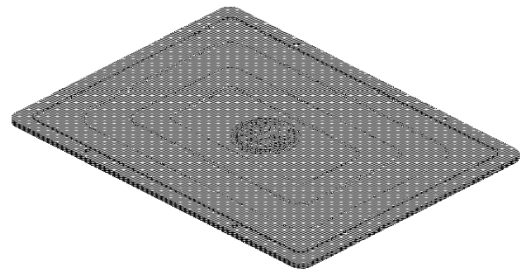
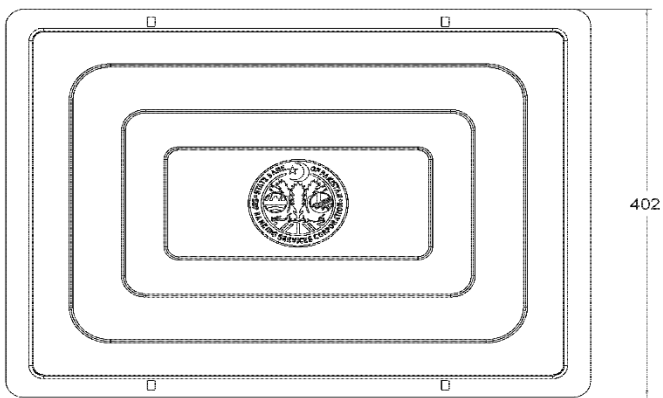


Batch Details will be shared by the Bank with the Most Advantageous Bidder after Notification of Award.



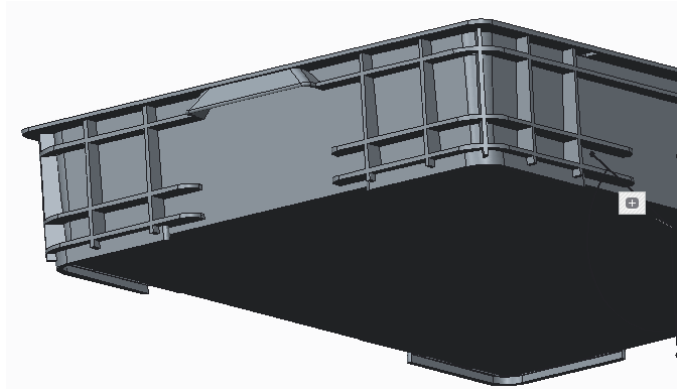
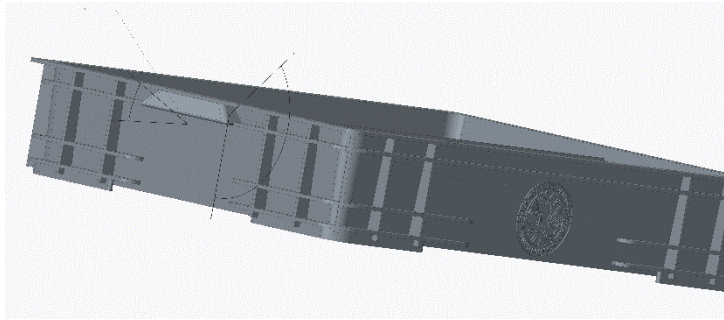
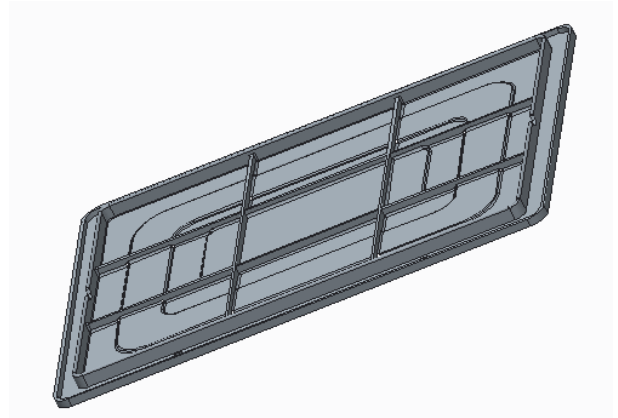
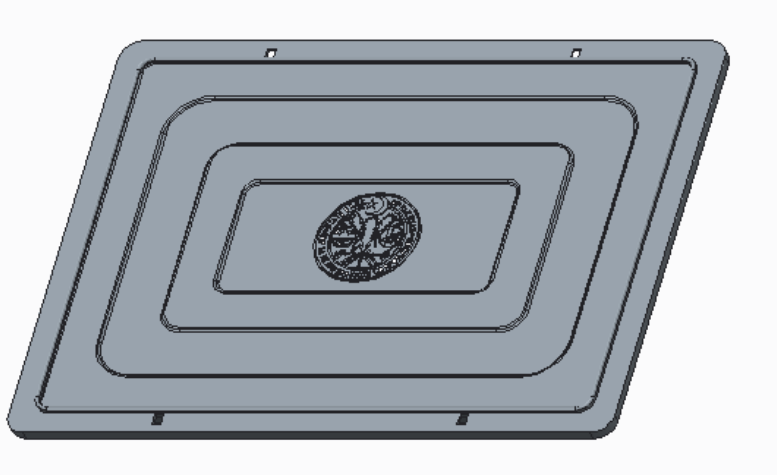


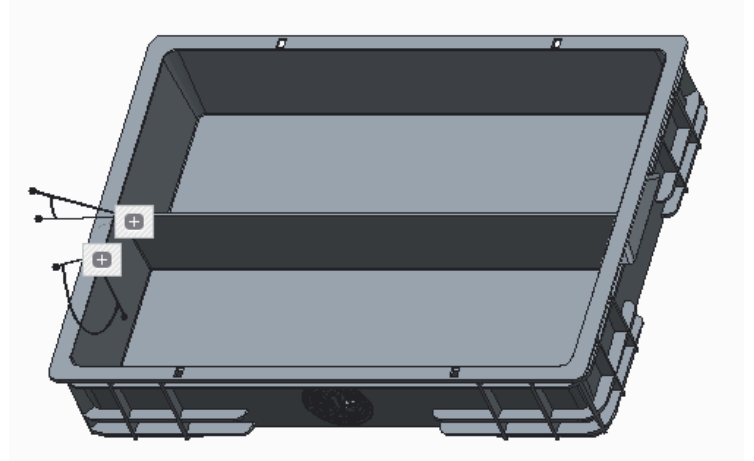
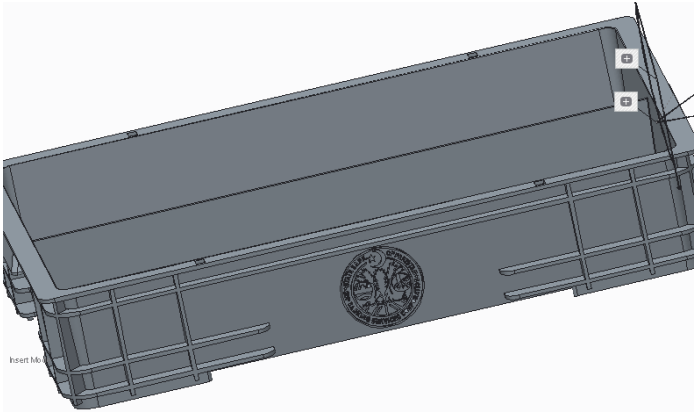
All Dimensions are in mm



All Dimensions are in mm

Finalized look of the Product:





**SECTION VI – STANDARD FORMS FOR
(Single Stage One Envelope Procedure)**



Table of Forms

| Sr. No. | Form No. | Description |
|----------------|-----------------|--|
| 1 | Form 1 | Form of Bid |
| 2 | Form 2 | Bidder Information Form |
| 3 | Form 3 | Bidder's Eligibility / Qualification Criteria |
| 4 | Form 4 | Technical Compliance |
| 5 | Form 5 | Price Schedule |
| 6 | Form 6 | Affidavit for Bidder's Blacklisting Status |
| 7 | Form 7 | Declaration for Ultimate Beneficial Owners Information |
| 8 | Form 8 | Manufacturer's Authorization Form |
| 9 | Form 9 | Form of Bid Securing Declaration |



Form 1 - Form of Bid

Date of this Bid submission: Friday, May 17, 2024,

ITB No.: GSD (PROC-III)/ 11097 / Cash Trays / 2023-24

Title of Procurement: "Supply of Plastic Cash Trays at SBP Banking Services Corporation"

To: SBP Banking Services Corporation (HOK)

Having examined the Bidding Documents including Addenda issued, the receipt of which is hereby duly acknowledged, we, the undersigned, offer to deliver [*description of goods and services*] in conformity with the said Bidding Documents for the sum of [*total Bid Amount in words and figures*] or such other sums as may be ascertained in accordance with the Schedule of Prices attached herewith and made part of this Bid.

We declare that our Bidding price did not involve agreements with other Bidders for the purpose of Bid suppression.

We are hereby confirming [*Concerned Director SBP BSC*], to be the Appointing Authority, to appoint the adjudicator in case of any arisen disputes in accordance with **ITB Clause 45.1**.

We undertake, if our Bid is accepted, to deliver the goods in accordance with the delivery schedule specified in the Schedule of Requirements.

If our Bid is accepted, we undertake to provide a Performance Security (or Guarantee) in the form, in the amounts, and within the times specified in the Bidding Documents.

We declare that, as Bidder(s) we do not have conflict of interest with reference to **ITB Clause 3.7**.

We agree to abide by this Bid for the Bid Validity Period specified in **BDS 17**, and it shall remain binding upon us and may be accepted at any time before the expiration of that period.

We are not participating, as Bidders, in more than one Bid in this Bidding process, other than alternative offers in accordance with the Bidding Documents.

Our firm, its affiliates or subsidiaries – including any subcontractors or suppliers for any part of the contract – has not been declared ineligible by the Government of Pakistan under Pakistan's laws or official regulations.

Until a formal Contract is prepared and executed, this Bid, together with your written acceptance thereof and your notification of award, shall constitute a binding Contract between us.

We understand that you are not bound to accept the lowest or any Bid you may receive.



We certify/confirm that we comply with the eligibility requirements as per **ITB Clause 3** of the Bidding Documents.

Name of the Bidder: *[insert complete name of Bidder]*

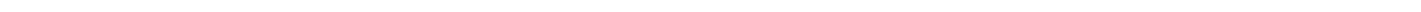
Name of the person duly authorized to sign the Bid on behalf of the Bidder: ** *[insert complete name of person duly authorized to sign the Bid]*

Title of the person signing the Bid: *[insert complete title of the person signing the Bid]*

Signature of the person named above: *[insert signature of person whose name and capacity are shown above]*

Date signed *[insert date of signing]* **day of** *[insert month]*, *[insert year]*

** : Person signing the Bid shall have the power of attorney given by the Bidder. The power of attorney shall be attached with the Bid Schedules.



Form 2 – Bidder Information Form

[The Bidder shall fill in this Form in accordance with the instructions indicated below. No alterations to its format shall be permitted and no substitutions shall be accepted.]

ITB No: GSD (PROC-III)/ 11097 / Cash Trays / 2023-24
 Title: “Supply of Plastic Cash Trays at SBP Banking Services Corporation”
 Bidder: [Name of Applicant / Entity]

| |
|---|
| 1. Bidder’s Name <i>[insert Bidder’s legal name]</i> |
| 2. Bidder’s actual or intended country of registration: <i>[insert actual or intended country of registration]</i> |
| 3. Bidder’s year of registration: <i>[insert Bidder’s year of registration]</i> |
| 4. Bidder’s Address in country of registration: <i>[insert Bidder’s legal address in country of registration]</i> |
| 5. Bidder’s Authorized Representative Information Name: <i>[insert Authorized Representative’s name]</i> Address: <i>[insert Authorized Representative’s Address]</i> Telephone/Fax numbers: <i>[insert Authorized Representative’s telephone/fax numbers]</i> Email Address: <i>[insert Authorized Representative’s email address]</i> |
| 6. Attached are copies of original documents of <i>[check the box(es) of the attached original documents]</i> <input type="checkbox"/> Articles of Incorporation (or equivalent documents of constitution or association), and/or documents of registration of the legal entity named above. <input type="checkbox"/> Establishing that the Bidder is not under the supervision of the Procuring Agency |
| 7. Included are the organizational chart, a list of Board of Directors, and the beneficial ownership. |



Form 3 – Bidder’s Eligibility / Qualification Criteria

[The Bidder shall fill in this Form in accordance with the instructions indicated below. No alterations to its format shall be permitted and no substitutions shall be accepted.]

ITB No: GSD (PROC-III)/ 11097 / Cash Trays / 2023-24

Title: “Supply of Plastic Cash Trays at SBP Banking Services Corporation”

Bidder: [Name of Applicant / Entity]

| # | Eligibility / Qualification Criteria | Means of Verifications | Reference in Bid** | Bidder’s Assessment (Y/N) |
|----|---|---|--------------------|---------------------------|
| a. | Bidder must be original manufacturer / supplier of plastic products in Pakistan; | Attach copy of valid proof of manufacturer / supplier of item | | |
| b. | Bidder must show proof of supply of custom-made plastic products to minimum three (03) customers in Pakistan during any of the last 05 years; | Attach Copy of Purchase Orders/ Contracts/ acceptance letter/ completion certificates with contact details. Please attach a list of projects, contracts Annex-1 to Form-3. | | |
| c. | Bidder must have Annual Sales Volume/Gross Turnover of at least ten (10) million rupees, in any of last three (03) financial years; | Attach Copy(s) of Audited Financial Statements / Sales Tax/ Income Tax return filed in FBR/ purchase orders or work orders. | | |
| d. | Bidder must be registered with Income and Sales Tax Department and also appear on Active taxpayers List (ATL) of FBR; | Attach copy of valid NTN, GST certificate and reference of Active Taxpayer list of FBR. | | |
| e. | Bidder must not have been blacklisted or be in breach of performance with SBP or any Organization(s). | Provide affidavit as per Form 6 | | |

Seal & Signature of Bidder: _____

Date: _____



Annex-1

Experience of Similar Assignment

| # | Assignment / Product Description | Company / Name of Customer | Contact Person Name / Contact Details |
|----|----------------------------------|----------------------------|---------------------------------------|
| 1. | | | |
| 2. | | | |
| 3. | | | |
| 4. | | | |
| 5. | | | |

Please attach copies of work/Purchase orders, contract or customer reference letter/email or any other reference document that can substantially prove the above.

Details of Trained/Experienced Resources

| # | Resource Name | Certificate Details | Certificate Issuance Date |
|----|---------------|---------------------|---------------------------|
| 1. | | | |
| 2. | | | |
| 3. | | | |
| 4. | | | |

Office Address

| # | Company Name | Complete Office Address | Office Numbers |
|----|--------------|-------------------------|----------------|
| 1. | | | |
| 2. | | | |
| 3. | | | |



Form 4 – Technical ComplianceITB No: GSD (PROC-III)/ 11097 / Cash Trays / 2023-24Title: “Supply of Plastic Cash Trays at SBP Banking Services Corporation”Bidder: [Name of Applicant / Entity]

| # | Material Specification Requirements | Bidder's Assessment (Yes/No) | | | | | | | | | | | | | | | | | | | | | | | | |
|-----------------------------|--|------------------------------|-------------|----------|---------|-----------|--------------------------|---------|----------------------|--|-----------------------------|--------------|--------------------------|-----------------|----------------|-------------|-----------------------|---------|------------|---------------------------|---------|--------------|-----------------------------|--------------|--------------|--|
| I | Plastic Cash Trays (Qty: 2,120 Pcs) | | | | | | | | | | | | | | | | | | | | | | | | | |
| 1. | <p>The product should be produced with injection grade <u>Polypropylene (PP) Random Copolymer</u> plastic material and may belong to any one of the following manufacturers:</p> <ul style="list-style-type: none"> - SABIC (PP QR6701K , or equivalent) - Lyondell Basell (Moplen RP 340N, or equivalent) <p>If other manufacturers are selected, the resin grade should be comparable with the grades offered by the above mentioned manufacturers.</p> | | | | | | | | | | | | | | | | | | | | | | | | | |
| 2. | <p>The plastic cash tray produced should have properties in the following ranges of different tests:</p> <table border="1"> <thead> <tr> <th>Description</th> <th>Range/Value</th> <th>Standard</th> </tr> </thead> <tbody> <tr> <td>Density</td> <td>(> 0.9)</td> <td>(ASTM D 1238) (ISO 1183)</td> </tr> <tr> <td>Clarity</td> <td>Clear to Translucent</td> <td></td> </tr> <tr> <td>Tensile Strength (at Yield)</td> <td>(12 to 14%)</td> <td>(ASTM D 638) (ISO 527-2)</td> </tr> <tr> <td>Stress at yield</td> <td>(26 to 30 MPA)</td> <td>(ISO 527-2)</td> </tr> <tr> <td>Melt Flow Index , MFI</td> <td>(10-13)</td> <td>(ISO 1133)</td> </tr> <tr> <td>Rockwell Hardness R Scale</td> <td>(91-94)</td> <td>(ASTM D 785)</td> </tr> <tr> <td>Heat Deflection Temperature</td> <td>(75 - 83 °C)</td> <td>(ASTM D 648)</td> </tr> </tbody> </table> | Description | Range/Value | Standard | Density | (> 0.9) | (ASTM D 1238) (ISO 1183) | Clarity | Clear to Translucent | | Tensile Strength (at Yield) | (12 to 14%) | (ASTM D 638) (ISO 527-2) | Stress at yield | (26 to 30 MPA) | (ISO 527-2) | Melt Flow Index , MFI | (10-13) | (ISO 1133) | Rockwell Hardness R Scale | (91-94) | (ASTM D 785) | Heat Deflection Temperature | (75 - 83 °C) | (ASTM D 648) | |
| Description | Range/Value | Standard | | | | | | | | | | | | | | | | | | | | | | | | |
| Density | (> 0.9) | (ASTM D 1238) (ISO 1183) | | | | | | | | | | | | | | | | | | | | | | | | |
| Clarity | Clear to Translucent | | | | | | | | | | | | | | | | | | | | | | | | | |
| Tensile Strength (at Yield) | (12 to 14%) | (ASTM D 638) (ISO 527-2) | | | | | | | | | | | | | | | | | | | | | | | | |
| Stress at yield | (26 to 30 MPA) | (ISO 527-2) | | | | | | | | | | | | | | | | | | | | | | | | |
| Melt Flow Index , MFI | (10-13) | (ISO 1133) | | | | | | | | | | | | | | | | | | | | | | | | |
| Rockwell Hardness R Scale | (91-94) | (ASTM D 785) | | | | | | | | | | | | | | | | | | | | | | | | |
| Heat Deflection Temperature | (75 - 83 °C) | (ASTM D 648) | | | | | | | | | | | | | | | | | | | | | | | | |
| 3. | Natural color of the resin without any color (pigment, master batch, etc.,) has to be retained for molding purposes. | | | | | | | | | | | | | | | | | | | | | | | | | |
| 4. | No recycle and off-spec material to be used in the product. | | | | | | | | | | | | | | | | | | | | | | | | | |
| 5. | Virgin plastic material (resin) will be used for molding the product. | | | | | | | | | | | | | | | | | | | | | | | | | |
| 6. | <p>The product should be free of moulding defects like :</p> <ul style="list-style-type: none"> - Flow Marks - Warp - Ejector Marks - Streaks - Burn Marks | | | | | | | | | | | | | | | | | | | | | | | | | |

| | - Weld lines | |
|-----|---|--|
| 7. | Finalized tray and lid should essentially be “unbreakable” i.e. should be able to withstand falls from heights of up to 4-5 feet and withstand a bearing of at least 50 KGs without breakage. | |
| 8. | The product specified as Tray & Lid should conform to the dimensional specifications as per enclosed drawing (s). General Tolerance has to be maintained. | |
| 9. | The Tray & Lid should snugly fit. A general tolerance of +/- 0.3 mm has to be maintained. | |
| 10. | Each tray shall have batching details as per the specimen provided in the technical specifications. The final information to be embossed on each tray shall be mutually decided between the successful bidder and the Bank subsequent to award of contract. | |
| 11. | In case of dispute in qualitative factors e.g. aesthetics, etc., the decision of the Bank will be final. | |
| 12. | Delivery of the product to be made in individually packed plastic sheet or bag. Delivery shall only be accepted in cartons containing 5 trays each. | |
| 13. | <u>Quality Assurance & Testing</u> The Bank reserves the right to conduct quality assessment test of the final trays from a Government approved laboratory. | |
| 14. | The properties of the sample trays should fall in the ranges provided above for each test. | |
| 15. | Cost of laboratory tests (if any) will be borne by the Bank. | |
| 16. | The supplier will have to submit a proof of purchase of materials used in the manufacturing of the trays. If imported, the invoice/purchase certificate containing material details, are to be submitted to the Bank. | |
| 17. | Important Note: In case where the sample trays fail to meet the testing parameters the whole lot will be rejected and the Bank will not be liable to pay for the same. | |

Seal & Signature of Bidder: _____

Date: _____



Form 5 – Price ScheduleIFB No: GSD (PROC-III)/ 11097 / Cash Trays / 2023-24Title: “Supply of Plastic Cash Trays at SBP Banking Services Corporation”Bidder: [Name of Applicant / Entity]

Below mentioned services & supplies will be as per technical specification given in Section V- Technical Specification. All prices must be in PKR. All the quotes must be provided as per format specified below.

| # | Description of Item | Unit Cost (C) | Tax Per Unit (T) @ 17% | Total Cost Per Unit (C+T) | Total Quantity (Q) | Total Cost Q x (C+T) |
|-------------------------------|------------------------------|---------------|------------------------|---------------------------|--------------------|----------------------|
| 1 | Supply of Plastic Cash Trays | | | | 2,120 | |
| Total Amount (PKR) = | | | | | | |
| Total Amount in Words: | | | | | | |

Note:

- i. Prices should be inclusive of all applicable taxes and duties.
- ii. Before filling this form kindly read the required Technical Specifications in Section V.
- iii. The prices should include the price of incidental services. No separate payment shall be made for the incidental services.

Seal & Signature of Bidder: _____

Date: _____

Form 6 – Affidavit for Bidder’s Blacklisting Status

ITB No: GSD (PROC-III)/ 11097 / Cash Trays / 2023-24
 Title: “Supply of Plastic Cash Trays at SBP Banking Services Corporation”
 Bidder: [Name of Applicant / Entity]

[Required on non-judicial stamp paper; value of stamp paper should be as per required value as per Stamp Duty Act]

To:

Director
 General Services Department
 SBP Banking Services Corporation (HOK)
 4th Floor BSC House, I.I Chundrigar Road,
 Karachi –Pakistan

Affidavit for Bidder’s Blacklisting Status

Dear Sir,

I/We hereby confirm and declare that I/We, [Name of Applicant / Entity], has/have not been Blacklisted/Sanctioned by any Federal or Provincial Government Department, National Counter Terrorism Authority(NACTA), Agency, Organization or Autonomous Body anywhere in Pakistan during last 05 (five) years.

Detection of false declaration / statement at any stage of the entire Bidding Process / Currency of the Contract shall lead to Disqualification and forfeiture of Bid Securing Declaration and/or Performance Guarantee and termination of contract.

Seal & Signature of Bidder: _____

Date: _____



Form 7 - Declaration for Ultimate Beneficial Owners InformationITB No: GSD (PROC-III)/ 11097 / Cash Trays / 2023-24Title: "Supply of Plastic Cash Trays at SBP Banking Services Corporation"Bidder: [Name of Applicant / Entity]**Declaration of Ultimate Beneficial Owners Information for Public Procurement Contracts**

1. Name:
2. Father's Name/Spouse's Name:
3. CNIC/NICOP/Passport no:
4. Nationality:
5. Residential address:
6. Email address:
7. Date on which shareholding, control or interest acquired in the business:
8. In case of indirect shareholding, control or interest being exercised through intermediary companies, entities or other legal persons or legal arrangements in the chain of ownership or control, following additional particulars to be provided:

| 1 | 2 | 3 | 4 | 5 | 6 | 7 | 8 | 9 | 10 |
|------|--|--|-------------------------------|------------------|---------|---------------|--|---|--|
| Name | Legal form (Company/Limited Liability Partnership/Association of Persons/Single Member Company/ Partnership Firm/ Trust/Any other individual, body corporate (to be specified)) | Date of incorporation/ registration | Name of registering authority | Business Address | Country | Email address | Percentage of shareholding, control or interest of BO in the legal person or legal arrangement | Percentage of shareholding, control or interest of legal person or legal arrangement in the Company | Identity of Natural Person who ultimately owns or controls the legal person or arrangement |
| | | | | | | | | | |
| | | | | | | | | | |

9. Information about the Board of Directors (details shall be provided regarding number of shares in the capital of the company as set opposite respective names).

| 1 | 2 | 3 | 4 | 5 | 6 | 7 | 8 |
|--|--|----------------------------------|---------------------|-----------------------------|------------|--|--|
| Name and surname (InBlock Letters) | CNIC No. (in case of foreigner ,Passport No) | Father's/ Husband's Name in full | Current Nationality | Any other Nationality (ies) | Occupation | Residential address in full or the registered/ principal office address for a subscriber other than natural person | Number of shares taken by each subscriber (in figures and words) |
| | | | | | | | |
| | | | | | | | |
| | | | | | | | |
| Total number of shares taken (in figures and words) | | | | | | | |

10. Any other information incidental to or relevant to Beneficial Owner(s).

Name & signature

(Person authorized to issue notice on behalf of the company)

Seal & Signature of Bidder: _____

Date: _____

Form 8 – Manufacturer’s Authorization Form (Not Required)

[The Bidder shall require the Manufacturer to fill in this Form in accordance with the instructions indicated. This letter of authorization should be on the letterhead of the Manufacturer and should be signed by a person with the proper authority to sign documents that are binding on the Manufacturer. The Bidder shall include it in its Bid, if so indicated in the BDS.]

Invitation No: GSD (PROC-III)/ 11097 / Cash Trays / 2023-24
Title: “Supply of Plastic Cash Trays at SBP Banking Services Corporation”
Bidder: [Name of Applicant / Entity]

To: *[SBP Banking Services Corporation]*

WHEREAS

We *[insert complete name of Manufacturer]*, who are official manufacturers of *[insert type of goods manufactured]*, having factories at *[insert full address of Manufacturer’s factories]*, do hereby authorize *[insert complete name of Bidder]* to submit a Bid the purpose of which is to provide the following Goods, manufactured by us *[insert name and or brief description of the Goods]*, and to subsequently negotiate and sign the Contract.

We hereby extend our full guarantee and warranty in accordance with Clause 18 of the General Conditions of Contract, with respect to the Goods offered by the above firm.

Signed: *[insert signature(s) of authorized representative(s) of the Manufacturer]*

Name: *[insert complete name(s) of authorized representative(s) of the Manufacturer]*

Title: *[insert title]*

Dated on _____ day of _____, _____ *[insert date of signing]*



Form 9 – Form of Bid Securing Declaration

The Bidder shall fill in this Form in accordance with the instructions indicated.]

Date: [date (as day, month and year)]

Invitation No: GSD (PROC-III)/ 11097 / Cash Trays / 2023-24

To: [SBP Banking Services Corporation]

We, the undersigned, declare that:

We understand that, according to your conditions, Bids must be supported by a Bid- Securing Declaration.

We accept that we will be blacklisted and henceforth cross debarred for participating in respective category of public procurement proceedings for a period of (not more than) six months, if fail to abide with a bid securing declaration, however without indulging in corrupt and fraudulent practices, if we are in breach of our obligation(s) under the Bid conditions, because we:

- (a) have withdrawn our Bid during the period of Bid validity specified in the Letter of Bid; or
- (b) having been notified of the acceptance of our Bid by the Procuring Agency during the period of Bid validity, (i) fail or refuse to sign the Contract; or (ii) fail or refuse to furnish the Performance Security (or guarantee), if required, in accordance with the ITB.

We understand this Bid Securing Declaration shall expire if we are not the successful Bidder, upon the earlier of (i) our receipt of your notification to us of the name of the successful Bidder; or (ii) twenty-eight days after the expiration of our Bid.

Name of the Bidder* _____

Name of the person duly authorized to sign the Bid on behalf of the Bidder** _____

Title of the person signing the Bid _____

Signature of the person named above _____

Date signed _____ day of _____, _____

*: In the case of the Bid submitted by joint venture specify the name of the Joint Venture as Bidder

** : Person signing the Bid shall have the power of attorney given by the Bidder attached to the Bid

[Note: In case of a Joint Venture, the Bid-Securing Declaration must be in the name of all members to the Joint Venture that submits the Bid.]



SECTION VII – GENERAL CONDITIONS OF THE CONTRACT



SECTION VII – GENERAL CONDITIONS OF THE CONTRACT**1. Definitions**

1.1. The following words and expressions shall have the meanings hereby assigned to them:

- a) **“Authority”** means Public Procurement Regulatory Authority.
- b) The **“Arbitrator”** is the person appointed with mutual consent of both the parties, to resolve contractual disputes as provided for in the General Conditions of the Contract **GCC Clause 31** hereunder.
- c) The **“Contract”** means the agreement entered into between the Procuring Agency and the Supplier, as recorded in the Contract Form signed by the parties, including all attachments and appendices thereto and all documents incorporated by reference therein.
- d) The **“Commencement Date”** is the date when the Supplier shall commence execution of the contract as specified in the **SCC**.
- e) **“Completion”** means the fulfillment of the related services by the Supplier in accordance with the terms and conditions set forth in the contract.
- f) **“Country of Origin”** means the countries and territories eligible under the PPRA Rules 2004 and its corresponding Regulations as further elaborated in the **SCC**.
- g) The **“Contract Price”** is the price stated in the Letter of Acceptance and thereafter as adjusted in accordance with the provisions of the Contract.
- h) **“Defective Goods”** are those goods which are below standards, requirements or specifications stated by the Contract.
- i) **“Delivery”** means the transfer of the goods from the supplier equipment, machinery, and /or other materials which the Supplier is required to supply to the Procuring Agency under Contract.
- j) **“Effective Contract date”** is the date shown in the Certificate of Contract Commencement issued by the Procuring Agency upon fulfillment of the conditions precedent stipulated in **GCC Clause 3**.
- k) **“Procuring Agency”** means the person named as Procuring Agency in the **SCC** and the legal successors in title to this person, procuring the Goods and related service, as named in **SCC**.
- l) **“Related Services”** means those services ancillary to the delivery of the Goods, such as transportation and insurance, and any other incidental services, such as installation, commissioning, provision of technical assistance, training, initial maintenance and other such obligations of the Supplier covered under the Contract.
- m) **“GCC”** means the General Conditions of Contract contained in this section.
- n) **“Intended Delivery Date”** is the date on which it is intended

- that the Supplier shall effect delivery as specified in the **SCC**.
- o) **“SCC”** means the Special Conditions of Contract.
- p) **“Supplier”** means the individual private or government entity or a combination of the above whose Bid to perform the contract has been accepted by the Procuring Agency and is named as such in the Contract Agreement, and includes the legal successors or permitted assigns of the supplier and shall be named in the **SCC**.
- q) **“Project Name”** means the name of the project stated in **SCC**.
- r) **“Day”** means calendar day.
- s) **“Eligible Country”** means the countries and territories eligible for participation in accordance with the policies of the Federal Government.
- t) **“End User”** means the organization(s) where the goods will be used, as named in the **SCC**.
- u) **“Origin”** means the place where the Goods were mined, grown, or produced or from which the Services are supplied. Goods are produced when, through manufacturing, processing, or substantial and major assembly of components, a commercially recognized new produce results that is substantially different in basic characteristics or in purpose or utility from its components.
- v) **“Force Majeure”** means an unforeseeable event which is beyond reasonable control of either Party and which makes a Party’s performance of its obligations under the Contract impossible or so impractical as to be considered impossible under the circumstances.
 For the purposes of this Contract, **“Force Majeure”** means an event which is beyond the reasonable control of a Party, is not foreseeable, is unavoidable, and its origin is not due to negligence or lack of care on the part of a Party, and which makes a Party’s performance of its obligations hereunder impossible or so impractical as reasonably to be considered impossible in the circumstances. and includes, but is not limited to, war, riots, civil disorder, earthquake, fire, explosion, storm, flood, epidemics, or other adverse weather conditions, strikes, lockouts or other industrial action (except where such strikes, lockouts or other industrial action are within the power of the Party invoking Force Majeure to prevent), confiscation or any other action by Government agencies.
- w) **“Specification”** means the Specification of the Goods and performance of incidental services in accordance with the relevant standards included in the Contract and any modification or addition made or approved by the Procuring Agency.
- x) The Supplier's Bid is the completed Bid document submitted by the Supplier to the Procuring Agency.

| | |
|--|--|
| <p>2.Application and Interpretation</p> | <p>2.1 These General Conditions shall apply to the extent that they are not superseded by provisions of other parts of the Contract.</p> <p>2.2 In interpreting these Conditions of Contract headings and marginal notes are used for convenience only and shall not affect their interpretations unless specifically stated; references to singular include the plural and vice versa; and masculine include the feminine. Words have their ordinary meaning under the language of the Contract unless specifically defined.</p> <p>2.3 The documents forming the Contract shall be interpreted in the following order of priority:</p> <ol style="list-style-type: none"> (1) Form of Contract, (2) Special Conditions of Contract, (3) General Conditions of Contract, (4) Letter of Acceptance, (5) Certificate of Contract Commencement (6) Specifications (7) Contractor's Bid, and (8) Any other document listed in the Special Conditions of Contract as forming part of the Contract. |
| <p>3.Conditions Precedent</p> | <p>3.1 Having signed the Contract, it shall come into effect on the date on which the following conditions have been satisfied: -</p> <ol style="list-style-type: none"> i. Submission of performance Security (or guarantee) in the form specified in the SCC; ii. Furnishing of Advance Payment Unconditional Guarantee. <p>3.2 If the Condition precedent stipulated on GCC Clause 3.1 is not met by the date specified in the SCC this contract shall not come into effect;</p> <p>3.3 If the Procuring Agency is satisfied that each of the conditions precedent in this contract has been satisfied (except to the extent waved by him, but subject to such conditions as he shall impose in respect of such waiver) he shall promptly issue to the supplier a certificate of Contract commencement, which shall confirm the start date.</p> |
| <p>4. Governing Language</p> | <p>4.1 The Contract as all correspondence and documents relating to the contract exchanged by the Supplier and the Procuring Agency shall be written in the language specified in SCC. Subject to GCC Clause 3.1, the version of the Contract written in the specified language shall govern its interpretation.</p> |
| <p>5. Applicable Law</p> | <p>5.1 The contract shall be governed and interpreted in accordance with the laws of Pakistan, unless otherwise specified in SCC.</p> |
| <p>6. Country of Origin</p> | <p>6.1 The origin of Goods and Services may be distinct from the nationality of the Supplier.</p> |

| | |
|---|---|
| 7. Standards | 7.1 The Goods supplied under this Contract shall conform to the standards mentioned in the Technical Specifications, and, when no applicable standard is mentioned, the American Standards (such as ACI, IEEE, ASME, etc.) or the Pakistani standards such as PSQCA Such standards shall be the latest issued by the concerned institution. |
| 8. Use of Contract Documents and Information; Inspection and Audit by Government of Pakistan | <p>8.1 The Supplier shall not, without the Procuring Agency's prior written consent, disclose the Contract, or any provision thereof, or any specification, plan, drawing, pattern, sample, or information furnished by or on behalf of the Procuring Agency in connection therewith, to any person other than a person employed by the Supplier in the performance of the Contract. Disclosure to any such employed person shall be made in confidence and shall extend only as far as may be necessary for purposes of such performance.</p> <p>8.2 The Supplier shall not, without the Procuring Agency's prior written consent, make use of any document or information enumerated in GCC Clause 7.1 except for purposes of performing the Contract.</p> <p>8.3 Any document, other than the Contract itself, enumerated in GCC Clause 7.1 shall remain the property of the Procuring Agency and shall be returned (all copies) to the Procuring Agency on completion of the Supplier's performance under the Contract if so required by the Procuring Agency.</p> <p>8.4 The Supplier shall permit the Government of Pakistan or / and donor agencies involved in financing the project to inspect the Supplier's accounts and records relating to the performance of the Supplier and to have them audited by auditors appointed by the Government of Pakistan or / and the appropriate donor agencies, if so required by the Government of Pakistan or / and the appropriate donor agencies.</p> |
| 9. Patents and Copy Rights | <p>9.1 The Supplier shall indemnify the Procuring Agency against all third-party claims of infringement of patent, trademark, or industrial design rights arising from use of the Goods or any part thereof in Pakistan.</p> <p>9.2 The patent right in all drawings, documents, and other materials containing data and information furnished to the Procuring Agency by the Supplier herein shall remain vested in the supplier, or, if they are furnished to the Procuring Agency directly, or through the Supplier by any third party, including suppliers of materials, the patent right in such materials shall remain vested in such third party.</p> |
| 10. Performance Security (or Guarantee) | 10.1 The Performance Security (or Guarantee) shall be provided to the Procuring Agency no later than the date specified in the Letter of Acceptance and shall be issued in an amount and form and by a bank or surety acceptable to the Procuring Agency, and denominated |

| | |
|--|--|
| | <p>in the types and proportions of the currencies in which the Contract Price is payable as specified in the SCC.</p> <p>10.2 The proceeds of the Performance Security (or Guarantee) shall be payable to the Procuring Agency as compensation for any loss resulting from the Supplier's failure to complete its obligations under the Contract.</p> <p>10.3 The Performance Security (or Guarantee) shall be in one of the following forms</p> <ol style="list-style-type: none"> a) A bank guarantee, an irrevocable letter of credit issued by a reputable bank, or in the form provided in the Bidding Documents or another form acceptable to the Procuring Agency; or b) A cashier's or certified check. <p>10.4 The performance security (or guarantee) will be discharged by the Procuring Agency and returned to the Supplier not later than thirty (30) days following the date of completion of the Supplier's performance obligations under the Contract, including any warranty obligations, unless otherwise specified in SCC.</p> |
| <p>11. Inspection and Testing</p> | <p>11.1 The Procuring Agency or its representative shall have the right to inspect and /or to test the Goods to confirm their conformity to the Contract specifications at no extra cost to the Procuring Agency. SCC and the Technical Specifications shall specify what inspections and tests the Procuring Agency shall notify the Supplier in writing or in electronic forms that provide record of the content of communication, in a timely manner, of the identity of any representatives retained for these purposes.</p> <p>11.2 The inspections and tests may be conducted on the premises of the Supplier or its subcontractor(s), at point of delivery, and/or at the Goods' final destination. If conducted on the premises of the Supplier or its subcontractor(s), all reasonable facilities and assistance, including access to drawings and production data, shall be furnished to the inspectors at no charge to the Procuring Agency.</p> <p>11.3 Should any inspected or tested Goods fail to conform to the Specifications, the Procuring Agency may reject the Goods, and the Supplier shall replace the rejected Goods to meet specification requirements free of cost to the Procuring Agency.</p> <p>11.4 The Procuring Agency's right to inspect, test and, where necessary, reject Goods after the Goods' arrival in the Procuring Agency's country shall in no way be limited or eared by reason of the Goods having previously been inspected, tested, and passed by the Procuring Agency or its representative prior to the Goods' shipment from the country of origin.</p> |

| | |
|-----------------------------------|--|
| | 11.5 Nothing in GCC Clause 10 shall in any way release the supplier from any warranty or other obligations under this Contract. |
| 12. Packing | <p>12.1 The supplier shall provide such packing of the Goods as is required to prevent their damage or deterioration during transit to their final destination, as indicated in the Contract. The packing shall be sufficient to withstand, without limitation, rough handling during transit and exposure to extreme temperatures, salt and precipitation during transit, and open storage. Packing case size and weights shall take into consideration, where appropriate, the remoteness of the Goods final destination and the absence of heavy handling facilities at all points in transit.</p> <p>12.2 The packing, marking, and documentation within and outside the packages shall comply strictly with such special requirements as shall be expressly provided for in the Contract, including additional requirements, if any, specified in SCC, and in any subsequent instructions ordered by the Procuring Agency.</p> |
| 13. Delivery and Documents | <p>13.1 Delivery of the Goods shall be made by the Supplier in accordance with the terms specified in the Schedule of Requirements. The details of shipping and or other documents to be furnished by the Supplier as specified in SCC.</p> <p>13.2 For purposes of the Contract, “EXW”, “FOB”, “FCA”, “CIF”, “CIP,” and other trade terms used to describe the obligations of the parties shall have the meanings assigned to them by the current edition of INCOTERMS published by the International Chamber of Commerce, Paris.</p> <p>13.3 Documents to be submitted by the Supplier are specified in SCC.</p> |
| 14. Insurance | 14.1 The Goods supplied under the Contract shall be fully insured in a freely convertible currency against loss or damage incidental to manufacture or acquisition, transportation, storage, and delivery in the manner specified in the SCC . |
| 15. Transportation | <p>15.1 Where the Supplier is required under Contract to deliver the Goods FOB, transport of the Goods, up to and including the point of putting the Goods on board the vessel at the specified port of loading, shall be arranged and paid for by the Supplier, and the cost thereof shall be included in the Contract Price. Where the Supplier is required under the Contract to deliver the Goods FCA, transport of the Goods and delivery into the custody of the carrier at the place named by the Procuring Agency or other agreed point shall be arranged and paid for by the Supplier, and the cost thereof shall be included in the Contract Price.</p> <p>15.2 Where the Supplier is required under Contract to deliver the Goods CIF or CIP, transport of the Goods to the port of destination or such other</p> |

| | |
|------------------------------------|---|
| | <p>named place of destination in Pakistan, as shall be specified in the Contract, shall be arranged and paid for by the Supplier, and the cost thereof shall be included in the Contract Price</p> <p>15.3 Where the Supplier is required under the Contract to transport the Goods to a specified place of destination within Pakistan, defined as the Project Site, transport to such place of destination in Pakistan, including insurance and storage, as shall be specified in the Contract, shall be arranged by the Supplier, and related costs shall be included in the Contract Price.</p> |
| <p>16. Related Services</p> | <p>16.1 The Supplier may be required to provide any or all of the following services, including additional services, if any, specified in SCC:</p> <ul style="list-style-type: none"> a) Performance or supervision of on-site assembly, Installation Commissioning and/or start-up of the supplied Goods; b) Furnishing of tools required for assembly and/or maintenance of the supplied Goods; c) Furnishing of a detailed operations and maintenance manual for each appropriate unit of the supplied Goods; d) Performance or supervision or maintenance and/or repair of the supplied Goods, for a period of time agreed by the parties, provided that this service shall not relieve the Supplier of any warranty obligations under this Contract; and e) Training of the Procuring Agency's personnel, at the Supplier's plant and/or on-site, in assembly, start-up, operation, maintenance, and/or repair of the supplied Goods. <p>16.2 Prices charged by the Supplier for related services, if not included in the Contract Price for the Goods, shall be agreed upon in advance by the parties and shall not exceed the prevailing rates charged to other parties by the Supplier for similar services.</p> |
| <p>17. Spare Parts</p> | <p>17.1 As specified in SCC, the Supplier may be required to provide any or all of the following materials, notifications, and information pertaining to spare parts manufactured or distributed by the Supplier:</p> <ul style="list-style-type: none"> a) Such spare parts as the Procuring Agency may elect to purchase from the Supplier, provided that this election shall not relieve the Supplier of any warranty obligations under the Contract; and b) In the event of termination of production of the spare parts: <ul style="list-style-type: none"> i) advance notification to the Procuring Agency of the pending termination, in sufficient time to permit the Procuring Agency to procure needed requirements; and ii) following such termination, furnishing at no cost to |

| | | |
|---|------|--|
| | | the Procuring Agency, the blueprints, drawings, and specifications of the spare parts, if requested. |
| 18. Warranty / Defect Liability Period | 18.1 | The Supplier warrants that the Goods supplied under the Contract are new, unused, of the most recent or current models and that they incorporate all recent improvements in design and materials unless provided otherwise in the Contract. The Supplier further warrants that all Goods supplied under this Contract shall have no defect, arising from design, materials, or workmanship (except when the design and/or material is required by the Procuring Agency, specifications) or from any act or omission of the Supplier, that may develop under normal use of the supplied Goods in the conditions prevailing in Pakistan. |
| | 18.2 | This warranty shall remain valid for a period specified in the SCC after the Goods, or any portion thereof as the case may be, have been delivered to and accepted at the final destination indicated in the Contract, or for a period specified in the SCC after the date of shipment from the port or place of loading in the source country, +whichever period concludes earlier, unless specified otherwise in SCC . |
| | 18.3 | The Procuring Agency shall promptly notify the Supplier in writing or in electronic forms that provide record of the content of communication of any claims arising under this warranty. |
| | 18.4 | Upon receipt of such notice, the Supplier shall, within the period specified in SCC and with all reasonable speed, repair or replace the defective Goods or parts thereof, without costs to the Procuring Agency other than, where applicable, the cost of inland delivery of the repaired or replaced Goods or parts from EXW or the port or place of entry to entry to the final destination. |
| | 18.5 | If the Supplier, having been notified, fails to remedy the defect(s) within the period specified in SCC , the Procuring Agency may proceed to take such remedial action as may be necessary, at the Supplier's risk and expense and without prejudice to any other rights which the Procuring Agency may have against the Supplier under the Contract. |
| 19. Payment | 19.1 | The method and conditions of payment to be made to the Supplier under this Contract shall be specified in SCC . |
| | 19.2 | The Supplier's request(s) for payment shall be made to the Procuring Agency in writing or in electronic forms that provide record of the content of communication, accompanied by an invoice describing, as appropriate, the Goods delivered and Services performed, and by documents submitted pursuant to GCC Clause 13 , and upon fulfillment of other obligations stipulated in the Contract. |

| | |
|--------------------------|--|
| | <p>19.3 Payments shall be made promptly by the Procuring Agency, within sixty (60) days after submission of an invoice or claim by the Supplier. If the Procuring Agency makes a late payment, the Supplier shall be paid interest on the late payment. Interest shall be calculated from the date by which the payment should have been made up to the date when the late payment is made at the rate as specified in the SCC.</p> <p>19.4 The currency or currencies in which payment is made to the Supplier under this Contract shall be specified in SCC subject to the following general principle: payment will be made in the currency or currencies in which the payment has been requested in the Supplier's Bid.</p> <p>19.5 All payments shall be made in the currency or currencies specified in the SCC pursuant to GCC Clause 19.4</p> |
| 20. Prices | <p>20.1 The contract price shall be as specified in the Contract Agreement Subject to any additions and adjustments thereto or deductions there from, as may be made pursuant to the Contract.</p> <p>20.2 Prices charged by the Supplier for Goods delivered and Services performed under the Contract shall not vary from the prices quoted by the Supplier in its Bid, with the exception of any price adjustments authorized in SCC or in the Procuring Agency's request for Bid Validity extension, as the case may be.</p> |
| 21. Change Orders | <p>21.1 The Procuring Agency may at any time, by a written order given to the Supplier pursuant to GCC Clause 22, make changes within the general scope of the Contract in any one or more of the following:</p> <ol style="list-style-type: none"> a) Drawings, designs, or specifications, where Goods to be furnished under the Contract are to be specifically manufactured for the Procuring Agency; b) The method of shipment or packing; c) The place of delivery; and/or d) The Services to be provided by the Supplier. <p>21.2 If any such change causes an increase or decrease in the cost of, or the time required for, the Supplier's performance of any provisions under the Contract an equitable adjustment shall be made in the Contract Price or delivery schedule, or both, and the Contract shall accordingly be amended. Any claims by the Supplier for adjustment under this clause must be asserted within thirty (30) days from the date of the Supplier's receipt of the Procuring Agency change order.</p> <p>21.3 Prices to be charged by the supplier for any related services that might be needed but which were not included in the Contract shall be agreed upon in advance by the Parties and shall not exceed the prevailing rates charged to other parties by the Supplier for similar services</p> |

| | |
|---|--|
| 22. Contract Amendments | 22.1 Subject to GCC Clause 20 , no variation in or modification of the terms of the Contract shall be made except by written amendment signed by the parties. |
| 23. Assignment | 23.1 Neither the Procuring Agency nor the Supplier shall assign, in whole or in part, obligations under this Contract, except with the prior written consent of the other party. |
| 24. Sub-Contracts | 24.1 The Supplier shall consult the Procuring Agency in the event of subcontracting under this contract if not already specified in the Bid. Subcontracting shall not alter the Supplier's obligations. 24.2 Subcontracts must comply with the provision of GCC Clause 5. |
| 25. Delays in the Supplier's Performance | 25.1 Delivery of the Goods and performance of Services shall be made by the Supplier in accordance with the time schedule prescribed by the Procuring Agency in the Schedule of Requirements. 25.2 If at any time during performance of the Contract, the Supplier or its subcontractor(s) should encounter conditions impeding timely delivery of the Goods and performance of Services, the Supplier shall promptly notify the Procuring Agency in writing or in electronic forms that provide record of the content of communication of the fact of the delay, its likely duration and its cause(s). As soon as practicable after receipt of the Supplier's notice, the Procuring Agency shall evaluate the situation and may at its discretion extend the Supplier's time for performance, with or without liquidated damages, in which case the extension shall be ratified by the parties by amendment of Contract. 25.3 Except as provided under GCC Clause 28 , a delay by the Supplier in the performance of its delivery obligations shall render the Supplier liable to the imposition of liquidated damages pursuant to GCC Clause 26 , unless an extension of time is agreed upon pursuant to GCC Clause 25.2 without the application of liquidated damages. |
| 26. Liquidated Damages | 26.1 Subject to GCC Clause 28 , if the Supplier fails to deliver any or all of the Goods or to perform the Services within the period(s) specified in the Contract, the Procuring Agency shall, without prejudice to its other remedies under the Contract, deduct from the Contract Price, as liquidated damages, a sum equivalent to the percentage specified in SCC of the delivered price of the delayed Goods or unperformed Services for each week or part thereof of delay until actual delivery or performance, up to a maximum deduction of the performance security (or guarantee) specified in SCC . Once the said maximum is reached, the Procuring Agency may consider termination of the Contract pursuant to GCC Clause 26 . |
| 27. Termination for Default | 27.1 The Procuring Agency or the Supplier, without prejudice to any other remedy for breach of Contract, by written notice of default sent to the |

| | |
|---|--|
| | <p>concerned party may terminate the Contract if the other party causes a fundamental breach of the Contract.</p> <p>27.2 Fundamental breaches of Contract shall include, but shall not be limited to the following:</p> <ul style="list-style-type: none"> a) the Supplier fails to deliver any or all of the Goods within the period(s) specified in the Contract, or within any extension thereof granted by the Procuring Agency pursuant to GCC Clause 24; or b) the Supplier fails to perform any other obligation(s) under the Contract; c) Supplier's failure to submit performance security (or guarantee) within the time stipulated in the SCC; d) the supplier has abandoned or repudiated the contract. e) the Procuring Agency or the Supplier is declared bankrupt or goes into liquidation other than for a reconstruction or amalgamation; f) a payment is not paid by the Procuring Agency to the Supplier after 84 days from the due date for payment; g) the Procuring Agency gives Notice that goods delivered with a defect is a fundamental breach of Contract and the Supplier fails to correct it within a reasonable period of time determined by the Procuring Agency; and h) if the Procuring Agency determines, based on the reasonable evidence, that the Supplier has engaged in corrupt, coercive, collusive, obstructive or fraudulent practices, in competing for or in executing the Contract. <p>27.3 For the purpose of this clause: "Corrupt and Fraudulent Practice" means the practices as described in Rule-2 (1) (f) of Public Procurement Rules-2004.</p> <p>27.4 In the event the Procuring Agency terminates the Contract in whole or in part, pursuant to GCC Clause 26.1, the Procuring Agency may procure, upon such terms and in such manner as it deems appropriate, Goods or Services similar to those undelivered, and the Supplier shall be liable to the Procuring Agency for any excess costs for such similar Goods or Services. However, the Supplier shall continue performance of the Contract to the extent not terminated.</p> |
| <p>28. Termination for Force Majeure</p> | <p>28.1 Notwithstanding the provisions of GCC Clauses 25, 26, and 27, neither Party shall have any liability or be deemed to be in breach of the Contract for any delay nor is other failure in performance of its obligations under the Contract, if such delay or failure is a result of an</p> |

| | |
|---|--|
| | <p>event of Force Majeure.</p> <p>For purpose of this clause, ‘Force Majeure’ means an event which is beyond the reasonable control of a Party, is not foreseeable, is unavoidable, and its origin is not due to negligence or lack of care on the part of a Party, and which makes a Party’s performance of its obligations hereunder impossible or so impractical as reasonably to be considered impossible in the circumstances, and includes, but is not limited to, war, riots, civil disorder, earthquake, fire, explosion, storm, flood, epidemics, or other adverse weather conditions, strikes, lockouts or other industrial action (except where such strikes, lockouts or other industrial action are within the power of the Party invoking Force Majeure to prevent</p> <p>28.2 If a Party (hereinafter referred to as “the Affected Party”) is or will be prevented from performing its substantial obligation under the contract by Force Majeure, it shall give a Notice to the other Party giving full particulars of the event and circumstance of Force Majeure in writing or in electronic forms that provide record of the content of communication of such condition and the cause thereof. Unless otherwise directed by the Procuring Agency in writing or in electronic forms that provide record of the content of communication, the Supplier shall continue to perform its obligations under the Contract as far as is reasonably practical, and shall seek all reasonable alternative means for performance not prevented by the Force Majeure event.</p> |
| <p>29. Termination for Insolvency</p> | <p>29.1 The Procuring Agency may at any time terminate the Contract by giving written notice to the Supplier if the Supplier becomes bankrupt or otherwise insolvent. In this event, termination will be without compensation to the Supplier, provided that such termination will not prejudice or affect any right of action or remedy which has accrued or will accrue thereafter to the Procuring Agency.</p> |
| <p>30. Termination for Convenience</p> | <p>30.1 The Procuring Agency, by written notice sent to the Supplier, may terminate the contract, in whole or in part, at any time for its convenience. The notice of termination shall specify that termination is for the Procuring Agency’s convenience, the Contract is terminated, and the date upon which such termination becomes effective.</p> <p>30.2 The Goods that are complete and ready for shipment within thirty (30) days after the Supplier’s receipt of notice of termination shall be accepted by the Procuring Agency at the Contract terms and price. For the remaining Goods, the Procuring Agency may elect:</p> <ol style="list-style-type: none"> a) To have any portion completed and delivered at the Contract terms and prices; and / or b) To cancel the remainder and pay to the Supplier an agreed amount for partially completed Goods and Services and for materials and parts previously procured by the Supplier. |

| | |
|--|---|
| <p>31. Disputes Resolutions</p> | <p>31.1 In the event of any dispute arising out of this contract, either party shall issue a notice of dispute to settle the dispute amicably. The parties hereto shall, within twenty-eight (28) days from the notice date, use their best efforts to settle the dispute amicably through mutual consultations and negotiation. Any unsolved dispute may be referred by either party to an arbitrator that shall be appointed by mutual consent of the both parties.</p> <p>31.2 After the dispute has been referred to the arbitrator, within 30 days, or within such other period as may be proposed by the Parties, the Arbitrator shall give its decision. The rendered decision shall be binding to the Parties.</p> |
| <p>32. Procedure for Disputes Resolutions</p> | <p>32.1 The arbitration shall be conducted in accordance with the arbitration procedure published by the Institution named and in the place shown in the SCC.</p> <p>32.2 The rate of the Arbitrator's fee and administrative costs of arbitration shall be borne equally by the Parties. The rates and costs shall be in accordance with the rules of the Appointing Authority. In conducting arbitration to its finality each party shall bear its incurred costs and expenses.</p> <p>32.3 The arbitration shall be conducted in accordance with the arbitration procedure published by the institution named and in the place shown in the SCC.</p> |
| <p>33. Replacement of Arbitrator</p> | <p>33.1 Should the Arbitrator resign or die, or should the Procuring Agency and the Supplier agree that the Arbitrator is not functioning in accordance with the provisions of the contract, a new Arbitrator shall be appointed by mutual consent of the both parties.</p> |
| <p>34. Limitation of Liability</p> | <p>34.1 Except in cases of criminal negligence or willful conduct, and in the case of infringement pursuant to GCC Clause 8,</p> <p>a) The supplier shall not be liable to the Procuring Agency, whether in contract, tort, or otherwise, for any indirect or consequential loss or damage, loss of use, loss of production, or loss of profits or interest costs, provided that this exclusion shall not apply to any obligation of the Supplier to pay liquidated damages to the Procuring Agency; and</p> <p>b) The aggregate liability of the Supplier to the Procuring Agency, whether under the Contract, in tort or otherwise, shall not exceed the total Contract Price, provided that this limitation shall not apply to the cost of repairing or replacing defective equipment or to any obligation of the Supplier to indemnify the Procuring Agency with respect to patent infringement.</p> |

| | |
|------------------------------------|--|
| <p>35. Notices</p> | <p>35.1 Any notice given by one party to the other pursuant to this Contract shall be sent to the other party in writing or in electronic forms that provide record of the content of communication and confirmed in writing or in electronic forms that provide record of the content of communication to the other party's address specified in SCC.</p> <p>35.2 A notice shall be effective when delivered or on the notice's effective date, whichever is later.</p> |
| <p>36. Taxes and Duties</p> | <p>36.1 A foreign Supplier shall be entirely responsible for all taxes, stamp duties, license fees, and other such levies imposed outside Pakistan.</p> <p>36.2 If any tax exemptions, reductions, allowances or privileges may be available to the Supplier in Pakistan the Procuring Agency shall use its best efforts to enable the Supplier to benefit from any such tax savings to the maximum allowable extent.</p> <p>36.3 A local Supplier shall be entirely responsible for all taxes, duties, license fees, etc., incurred until delivery of the contracted Goods to the Procuring Agency.</p> |

SECTION VIII: SPECIAL CONDITIONS OF THE CONTRACT (SCC)



Special Conditions of Contract (SCC)

The following Special Conditions of Contract (SCC) shall supplement the GCC. Whenever there is a conflict, the provisions herein shall prevail over those in the GCC. The corresponding clause number of the GCC is indicated in parentheses.

| SCC Clause Number | GCC Clause Number | Amendments of, and Supplements to, Clauses in the GCC |
|--|-------------------|---|
| Definitions (GCC 1) | | |
| 1. | 1.1(k) | The Procuring Agency is: SBP Banking Services Corporation |
| 2. | 1.1(p) | The Supplier is: <i>[Name and address]</i> |
| 3. | 1.1(q) | The title of the subject procurement or The Project is: “Supply of Plastic Cash Trays at SBP Banking Services Corporation” |
| Governing Language (GCC 4) | | |
| 4. | 4.1 | The Governing Language shall be: English |
| Applicable Law (GCC 5) | | |
| 5. | 5.1 | The Applicable Law shall be: Laws of Islamic Republic of Pakistan |
| Country of Origin (GCC 6) | | |
| 6. | 6.1 | Country of Origin is the country where offered supplies are manufactured. |
| Performance Security (or guarantee) (GCC 10) | | |
| 7. | 10.1 | The amount of performance security, as a percentage of the Contract Price, shall be: <i>[ten (10) percent of the Contract Price]</i> |
| 8. | 10.4 | Performance Security equivalent to 10% of the contract price shall be retained from total contract amount as performance security for entire contract period i.e. two (02) years. |
| Inspections and Tests (GCC 11) | | |
| 9. | 11.1 | Inspection and tests prior to shipment of Goods and at final acceptance are as follows; |

| | | |
|---|------|---|
| | | Quality and quantity inspection shall be carried out prior to shipment of Goods by the manufacturer(s) at the supplier's own expense and responsibility in terms of the items specified in the specifications. The supplier shall submit the inspection certificate issued by himself which should be attached with the certificate(s) of the manufacturer(s) to the Procuring Agency in order to ensure that the goods are manufactured in compliance with the contract. |
| Packing (GCC Clause 12) | | |
| 10. | 12.2 | The following SCC shall supplement GCC Clause 12.2 : The Goods shall be packed properly in accordance with standard export packing specified by the Procuring Agency in the Technical Specification. |
| Delivery and Documents (GCC Clause 13) | | |
| 11. | 13.1 | For Goods supplied from abroad: Not Applicable |
| 12. | 13.3 | For Goods from within Pakistan: Upon delivery of the Goods to the transporter, the Supplier shall notify the Procuring Agency and mail the following documents to the Procuring Agency: (i.) one original plus four copies of the Supplier's invoice showing Goods' description, quantity, unit price, and total amount; (ii.) delivery note, railway receipt, or truck receipt; (iii.) Manufacturer's or Supplier's warranty certificate; (iv.) inspection certificate issued by the nominated inspection agency, and the Supplier's factory inspection report; and (v.) certificate of country of origin issued by Pakistan Chamber of Commerce and Industry or equivalent authority in the country of origin in duplicate. The above documents shall be received by the Procuring Agency before arrival of the Goods and, if not received, the Supplier will be responsible for any consequent expenses. |
| Insurance (GCC Clause 14) | | |
| 13. | 14.1 | The Insurance shall be in an amount equal to 110 percent of the applicable INCOTERM value of the Goods from "warehouse" to "warehouse" on "All Risks" basis, including War Risks and Strikes. |

| Related Services (GCC Clause 16) | | |
|----------------------------------|-------------|---|
| 14. | 16.1 | <p>Related services to be provided are:</p> <p>Supplier shall provide all the related services as per GCC-16 without any additional cost to the Bank.</p> |
| Spare Parts (GCC Clause 17) | | |
| 15. | 17.1 | <p>Additional spare parts requirements are:</p> <p>Not Applicable</p> |
| Warranty (GCC Clause 18) | | |
| 16. | 18.2 | <p>GCC Clause 17.2—In partial modification of the provisions, the Warranty period shall be 12 months (01 year) from date of operational acceptance of the Equipment. The Supplier shall, in addition, comply with the performance and/or consumption guarantees specified under the Contract. If, for reasons attributable to the Supplier, these guarantees are not attained in whole or in part, the Supplier shall, at its discretion, either:</p> <ol style="list-style-type: none"> a. make such changes, modifications, and/or additions to the Goods or any part thereof as may be necessary in order to attain the contractual guarantees specified in the Contract at its own cost and expense and to carry out further performance tests in accordance with SCC 4, Or b. pay liquidated damages to the Procuring Agency with respect to the failure to meet the contractual guarantees. The rate of these liquidated damages shall be 0.20 percent per day of undelivered materials/goods value up to the sum equivalent to the amount of ten percent of the contract value. |
| 17. | 18.4 & 18.5 | The period for correction of defects in the warranty period is: 05 working days after submission of written notice. |
| Payment (GCC Clause 19) | | |
| 18. | 19.1 | <p>The method and conditions of payment to be made to the Supplier under this Contract shall be as follows:</p> <p>Payment for Goods supplied from abroad: <u>NOT APPLICABLE</u></p> |

| | | |
|---|------|---|
| | | <p>Payment for Goods and Services supplied from within Pakistan:</p> <p>Payment for Goods and Services supplied from within Pakistan shall be made in Pakistani Rupees, as follows:</p> <p>(i) Advance Payment: Not Applicable.</p> <p>(ii) On Delivery: 100 % (hundred percent) of the Contract Price shall be paid on receipt of the Goods and upon submission of the documents specified in GCC Clause 11.</p> |
| 19. | 19.3 | Rate to be used for paying the Supplier's interest on the late payment made by Procuring Agency shall be (Not Applicable) |
| Prices (GCC Clause 20) | | |
| 20. | 20.1 | Prices shall be adjusted in accordance with provisions in the Attachment to SCC. <i>[Not Applicable]</i> |
| Liquidated Damages (GCC Clause 26) | | |
| 21. | 25.1 | If the Supplier fails to complete the delivery on the agreed timelines the Procuring Agency may deduct from the invoice payables for the One-time cost of the equipment as liquidated damages, a sum equivalent to 0.1 percent of the Contract Price for each day of delay until actual delivery is made, up to a maximum deduction of 10% of the Contract Price. After which the Procuring Agency may consider termination of the contract pursuant to GCC 24. |
| Procedure for Dispute Resolution (GCC Clause 32) | | |
| 22. | 32.3 | <p>Dispute Resolution</p> <p>In case of a dispute arising between the Parties regarding the terms of or rights and obligations of the Parties under this Contract, if not resolved amicably, shall be settled by an arbitration in accordance with the Arbitration Act, 1940</p> |
| Notices (GCC Clause 35) | | |
| 23. | 35.1 | <p>— Procuring Agency's address for notice purposes: <i>(to be inserted at the time of contract signing)</i></p> <p>—Supplier's address for notice purposes: <i>(to be inserted at the time of contract signing)</i></p> |
| Tax & Duties (GCC Clause 36) | | |

| | | |
|------------------------|----|--|
| 24. | 36 | Prices payable to the Supplier as stated in the Contract are not subject to any adjustment during performance of the contract. However, any subsequent legislation enacted, changes in the rate of any tax, levy of additional tax or duty during the currency of contract that impacts the contract price would be duly accounted for by both the parties of the contract i.e. in case of increase or decrease in the rates of the said taxes and duties or levy of any new tax or duty, the contract price would be adjusted accordingly. |
| Confidentiality | | |
| 25. | | <p>25.1 Information relating to evaluation of bids and recommendations concerning to award of the Contract shall not be disclosed by the Procuring agency to the bidders/Supplier or to any other person who is not officially concerned with the process, until the announcement of the result of evaluation.</p> <p>25.2 The Supplier shall not disclose or attempt to make public any information relating to the bidding documents, bidding process and award of the Contract to any person or entity without the Procuring Agency's prior written consent.</p> <p>25.3 In case of any disclosure related to the bidding process and contractual obligations at any stage by any bidder/supplier, the Procuring Agency may reject its bid and/or terminate the Contract. .</p> |

SECTION IX: CONTRACT FORMS



Form of Contract

THIS AGREEMENT made the _____ day of _____ 20____ between [name and address of Procuring Agency] of Pakistan (hereinafter called “the Procuring Agency”) of the one part and [name of Supplier] of [city and country of Supplier] (hereinafter called “the Supplier”) of the other part:

WHEREAS the Procuring Agency invited Bids for certain goods and related services, viz., “Supply of Plastic Cash Trays at SBP Banking Services Corporation” and has accepted a Bid by the Supplier for the supply of those goods and related services in the sum of [contract price in words and figures] (hereinafter called “the Contract Price”).

NOW THIS CONTRACT WITNESSETH AS FOLLOWS:

1. In this Contract words and expressions shall have the same meanings as are respectively assigned to them in the Conditions of Contract referred to.
2. The following documents shall be deemed to form and be read and construed as part of this Contract, In the event of any ambiguity or conflict between the Contract Documents listed below, the order of precedence shall be the order in which the Contract Documents are listed below:-
 - a. This form of Contract;
 - b. the Form of Bid and the Price Schedule submitted by the Bidder;
 - c. the Schedule of Requirements;
 - d. the Technical Specifications;
 - e. the Special Conditions of Contract;
 - f. the General Conditions of the Contract;
 - g. the Procuring Agency’s Letter of Acceptance (Notification of Award); and
 - h. the Supplier’s Letter of Acceptance
 - i. Integrity Pact
 - j. Performance Security (Guarantee) Form
 - k. Certificates to Contract
3. In consideration of the payments to be made by the Procuring Agency to the Supplier as hereinafter mentioned, the Supplier hereby covenants with the Procuring Agency to provide the goods and related services and to remedy defects therein in conformity in all respects with the provisions of the Contract.

- 4. The Procuring Agency hereby covenants to pay the Supplier in consideration of the provision of the goods and related services and the remedying of defects therein, the Contract Price or such other sum as may become payable under the provisions of the contract at the times and in the manner prescribed by the contract.

IN WITNESS whereof the parties hereto have caused this Contract to be executed in accordance with their respective laws the day and year first above written.

Signed, sealed, by _____ the _____ (for the Procuring Agency)

Witness to the signatures of the Procuring Agency:

Signed, sealed, delivered by _____ the _____ (for the Supplier)

Witness to the signatures of the Supplier:



Appendix 1 - Form of Bid and Price Schedule
(to be inserted at the time of signing of contract)



Appendix 2 – The Schedule of Requirement
(to be inserted at the time of signing of contract)



Appendix 3 – The Technical Specifications
(to be inserted at the time of signing of contract)



Appendix 4 – Notification of Award
(to be inserted at the time of signing of contract)



Appendix 5 – Letter of Acceptance
(to be inserted at the time of signing of contract)



Appendix 6 – Integrity Pact

DECLARATION OF FEES, COMMISSION AND BROKERAGE ETC. PAYABLE BY THE SUPPLIERS OF GOODS, SERVICES & WORKS IN CONTRACTS WORTH RS.10.00 MILLION OR MORE

Contract Number: _____

Contract Value: _____

Contract Title _____

Date: _____

[Name of Supplier] hereby declares that it has not obtained or induced the procurement of any contract, right, interest, privilege or other obligation or benefit from Government of Pakistan or any administrative subdivision or agency thereof or any other entity owned or controlled by it (GoP) through any corrupt business practice.

Without limiting the generality of the foregoing [Name of Supplier] represents and warrants that it has fully declared the brokerage, commission, fee etc. paid or payable to anyone and not given or agreed to give and shall not give or agree to give to anyone within or outside Pakistan either directly or indirectly through any natural or juridical person, including its affiliate, agent, associate, broker, consultant, director, promoter, shareholder, sponsor or subsidiary, any commission, gratification, bribe, finder's fee or kickback, whether described as consultations fee or otherwise, with the object of obtaining or inducing the procurement of a contract, right, interest, privilege or other obligation or benefit in whatsoever form from GoP, except that which has been expressly declared pursuant hereto.

[Name of Supplier] certifies that it has made and will make full disclosure of all agreements and arrangements with all persons in respect of or related to the transaction with GoP and has not taken any action or will not take any action to circumvent the above declaration, representative or warranty.

[Name of Supplier] accepts full responsibility and strict liability for making and false declaration, not making full disclosure, misrepresenting fact or taking any action likely to defeat the purpose of this declaration, representation and warranty. It agrees that any contract, right interest, privilege or other obligation or benefit obtained or procured as aforesaid shall, without prejudice to any other right and remedies available to GoP under any law, contract or other instrument, be voidable at the option of GoP.

Notwithstanding any rights and remedies exercised by GoP in this regard, [Name of Supplier] agrees to indemnify GoP for any loss or damage incurred by it on account of its corrupt business practices and further pay compensation to GoP in an amount equivalent to ten times the sum of any commission, gratification, bribe, finder's fee or kickback given by [Name of Supplier] as aforesaid for the purpose of obtaining or inducing the procurement of any contract, right, interest, privilege or other obligation or benefit in whatsoever form from GoP.

[Buyer]

[Seller/Supplier]



Appendix 7 – Performance Security (or guarantee) Form

To: **SBP Banking Services Corporation**

WHEREAS *[name of Supplier]* (hereinafter called “the Supplier”) has undertaken, in pursuance of Contract No. *[reference number of the contract]* dated *[insert date]* to delivery *[description of goods and services]* (hereinafter called “the Contract”).

AND WHEREAS it has been stipulated by you in the said Contract that the Supplier shall furnish you with a Bank Guarantee by a reputable bank for the sum specified therein as security for compliance with the Supplier’s performance obligations in accordance with the Contract.

AND WHEREAS we have agreed to give the Supplier a guarantee:

THEREFORE, WE hereby affirm that we are Guarantors and responsible to you, on behalf of the Supplier, up to a total of *[amount of the guarantee in words and figures]*, and we undertake to pay you, upon your first written demand declaring the Supplier to be in default under the Contract and without cavil or argument, any sum or sums within the limits of *[amount of guarantee]* as aforesaid, without your needing to prove or to show grounds or reasons for your demand or the sum specified therein.

This guarantee is valid until the: *[insert date]*

Signature and seal of the Guarantors

[name of bank or financial institution]

[address]

[date]



Appendix 8 –Form of Certificates

1. Delivery Confirmation Certificate

Date: [insert: date]
 Invitation No: GSD (PROC-III)/ 11097 / Cash Trays / 2023-24
 Contract: "Supply of Plastic Cash Trays at SBP Banking Services Corporation"

To:
[insert: name and address of Supplier]

Dear Sir or Madam:

Pursuant to Contract entered into between **[Name of Applicant / Entity]** and **SBP Banking Services Corporation (SBP BSC)** (hereinafter the "Procuring Agency") dated **[insert: date of Contract]**, relating to the **"Supply of Plastic Cash Trays at SBP Banking Services Corporation"**, we hereby notify you that the Goods (or parts or major component thereof) was deemed to have been delivered on the date specified below.

1. Description of the Goods (or relevant or parts or major component thereof): **"Supply of Plastic Cash Trays at SBP Banking Services Corporation"**
2. Date of Delivery: **[insert: date]**

Notwithstanding the above, you are required to complete the outstanding items listed in Contract Agreement as soon as practicable. This letter shall not relieve you of your obligation to install, configure, integrate (as applicable) and achieve Operational Acceptance of the entire System (if applicable) in accordance with the Contract nor of your obligations during the Warranty Period.

For and on behalf of the Procuring Agency

Signed: _____

Date: _____

in the capacity of: Concerned Director or nominee thereof



2. Installation Certificate Form

Date: [insert: date]
 Invitation No: GSD (PROC-III)/ 11097 / Cash Trays / 2023-24
 Contract: "Supply of Plastic Cash Trays at SBP Banking Services Corporation"

To:
[insert: name and address of Supplier]

Dear Sir or Madam:

Pursuant to Contract entered into between *[Name of Applicant / Entity]* and *SBP Banking Services Corporation (Procuring Agency)* dated *[insert: date of Contract]*, relating to the **"Supply of Plastic Cash Trays at SBP Banking Services Corporation"**, we hereby notify you that the System (or a Subsystem or major component thereof) was deemed to have been correctly installed on the date specified below.

1. Description of the System (or relevant Subsystem or major component: **"Supply of Plastic Cash Trays at SBP Banking Services Corporation"**)
2. Date of Installation: *[insert: date]*

Notwithstanding the above, you are required to complete the outstanding items listed in the attachment to this certificate as soon as practicable. This letter shall not relieve you of your obligation to achieve Operational Acceptance of the System in accordance with the Contract nor of your obligations during the Warranty Period.

For and on behalf of the Procuring Agency

Signed: _____

Date: _____

in the capacity of: Concerned Director or nominee thereof



3. Operational Acceptance Certificate Form

Date: [insert: date]
 Invitation No: GSD (PROC-III)/ 11097 / Cash Trays / 2023-24
 Contract: "Supply of Plastic Cash Trays at SBP Banking Services Corporation"

To:
[insert: name and address of Supplier]

Dear Sir or Madam:

Pursuant to Contract entered into between *[Name of Applicant / Entity]* and *SBP Banking Services Corporation (Procuring Agency)* dated *[insert: date of Contract]*, relating to the *"Supply of Plastic Cash Trays at SBP Banking Services Corporation"*, we hereby notify you the System (or the Subsystem or major component identified below) successfully completed the Operational Acceptance Tests specified in the Contract. In accordance with the terms of the Contract, the Bank hereby takes over the System (or the Subsystem or major component identified below), together with the responsibility for care and custody and the risk of loss thereof on the date mentioned below.

1. Description of the System (or Subsystem or major component): *"Supply of Plastic Cash Trays at SBP Banking Services Corporation"*
2. Date of Operational Acceptance: *[insert: date]*

This letter shall not relieve you of your remaining performance obligations under the Contract nor of your obligations during the Warranty Period.

For and on behalf of the Procuring Agency

Signed: _____

Date: _____

in the capacity of: Concerned Director or nominee thereof

